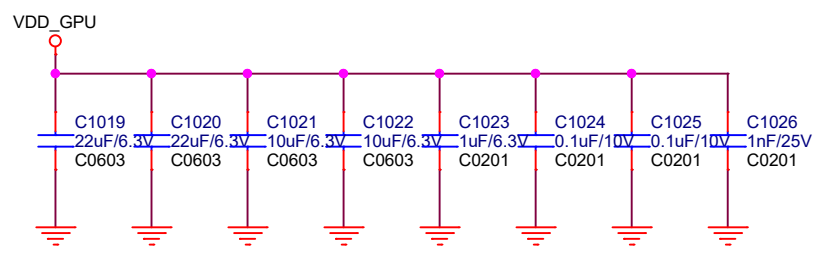
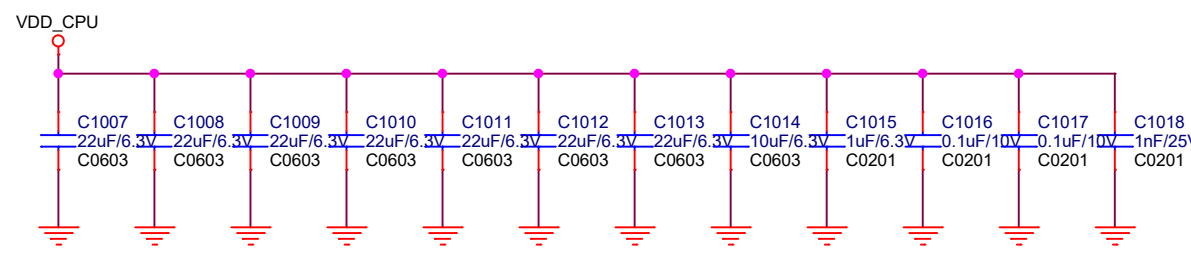
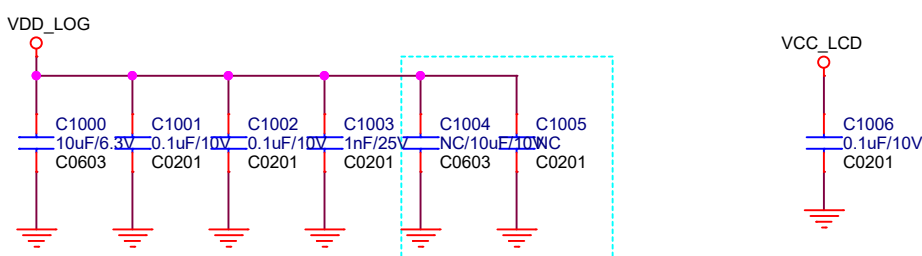
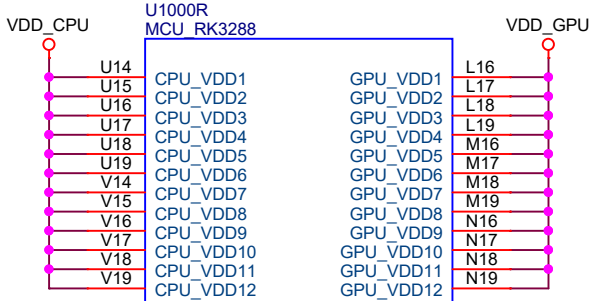
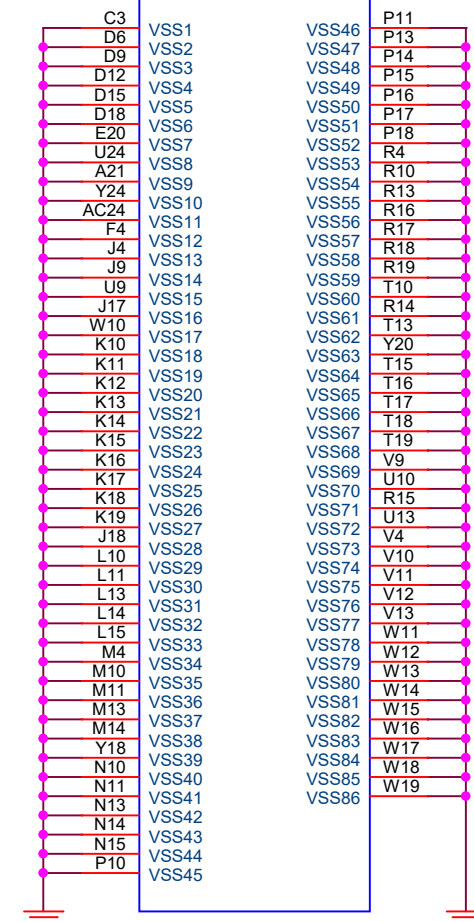


# RK3288\_R

# RK3288\_M

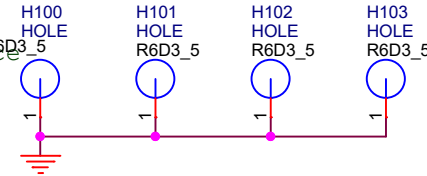
U1000M  
MCU\_RK3288

U1000R  
MCU\_RK3288



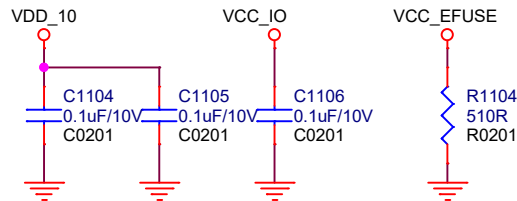
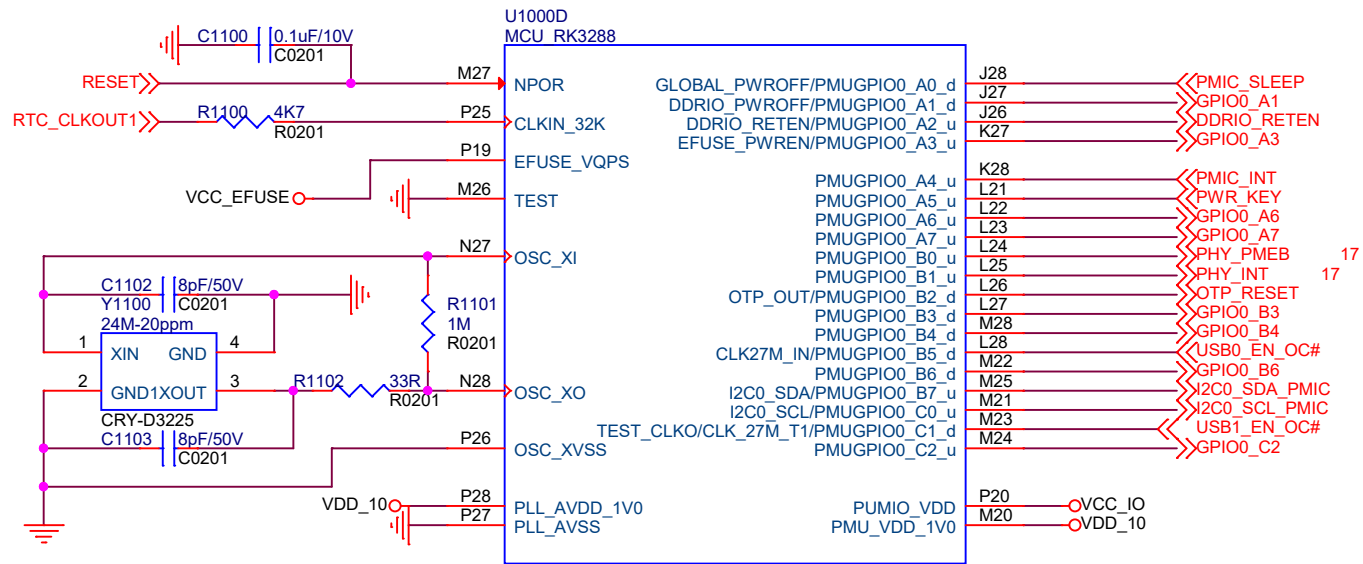
## RK3288 Power Filter

Note: All the capacitor should be placed close to the power pin of RK3288.



Title			RK3288_vmarc		
Size	Document Number				Rev
A4	RK3288 Power				1.0
Date:	Thursday, November 14, 2019		Sheet	1 of 13	

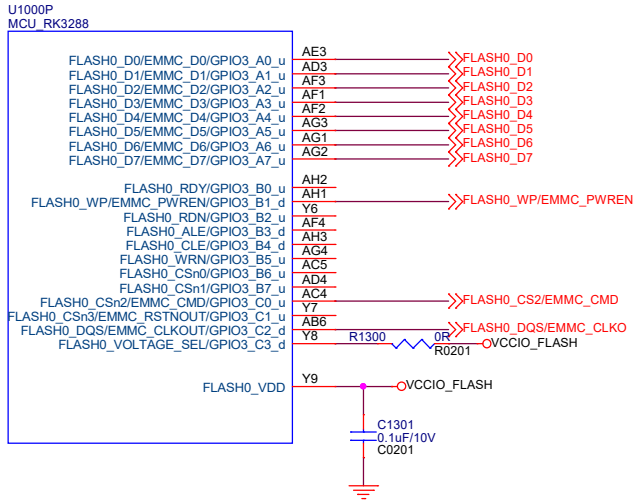
# RK3288\_D



Note: All the capacitor should be place close to the power pin of RK3288.

Title			RK3288_vmarc		
Size	Document Number	PMU Controller			Rev
A4					1.0
Date:	Thursday, November 14, 2019	Sheet	2	of	13

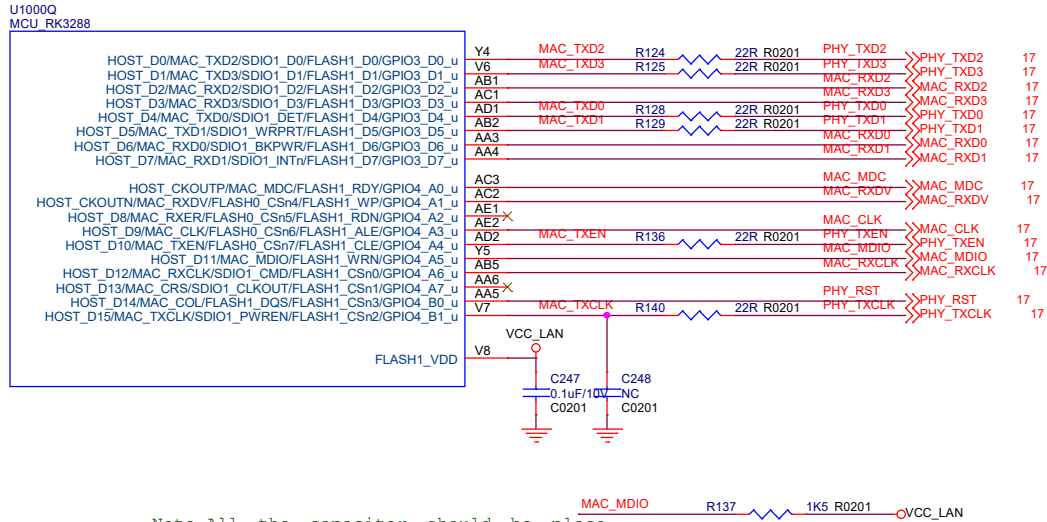
# RK3288\_P



Note: All the capacitor should be place close to the power pin of RK3288.

	VCCIO_FLASH=1.8V	VCCIO_FLASH=3.3V
FLASH0_VOLTAGE_SEL pin connect to	VCCIO_FLASH	Floating(Default)
R1300	0R	DNP

# RK3288\_Q

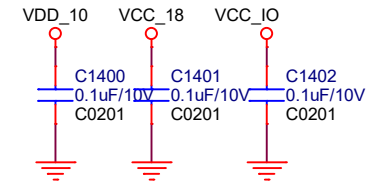
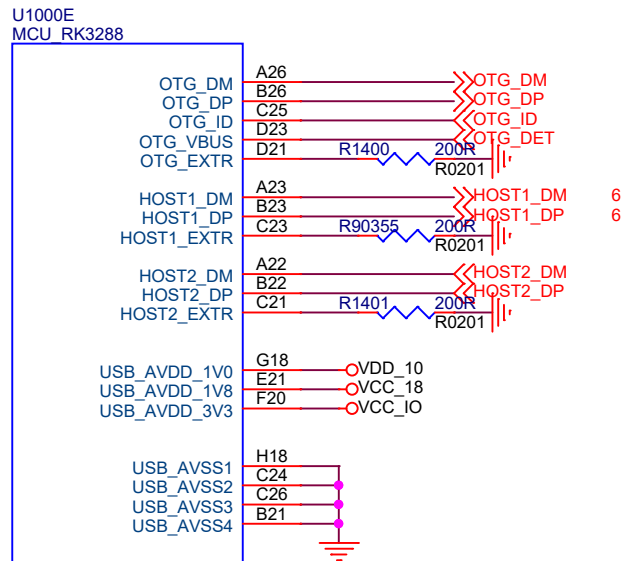


Note: All the capacitor should be place close to the power pin of RK3288.



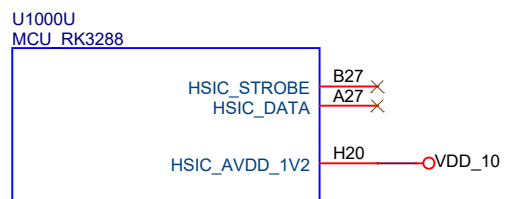
Title			
		<b>RK3288_vmarc</b>	
Size	Document Number	Rev	
Custom	Flash Controller	1.0	
Date:	Thursday, November 14, 2019	Sheet	3 of 13

# RK3288\_E



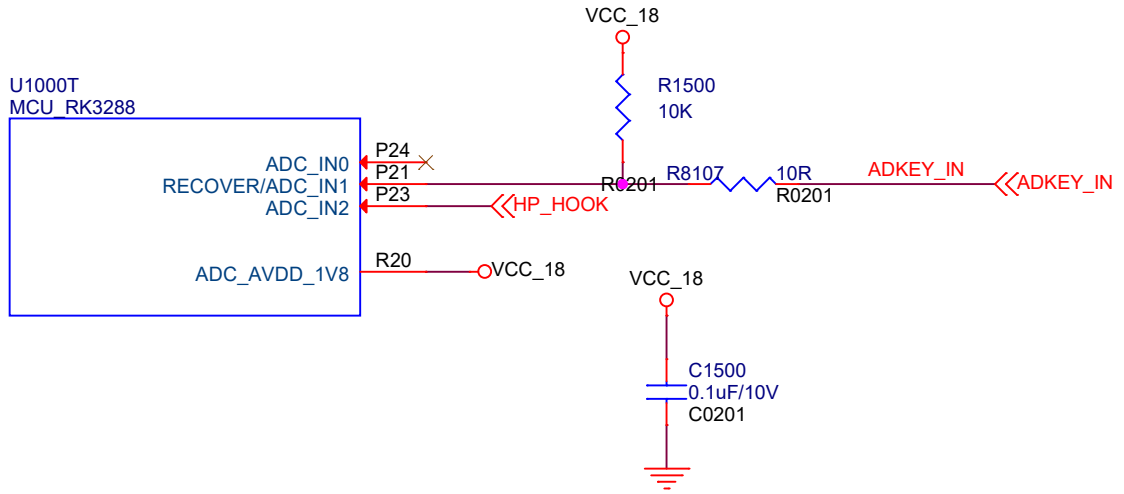
Note: All the capacitor should be place close to the power pin of RK3288.

# RK3288\_U



Title			RK3288_vmarc		
Size	Document Number	Rev			
A4	USB/HSIC Controller	1.0			
Date:	Thursday, November 14, 2019	Sheet	4	of	13

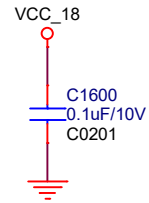
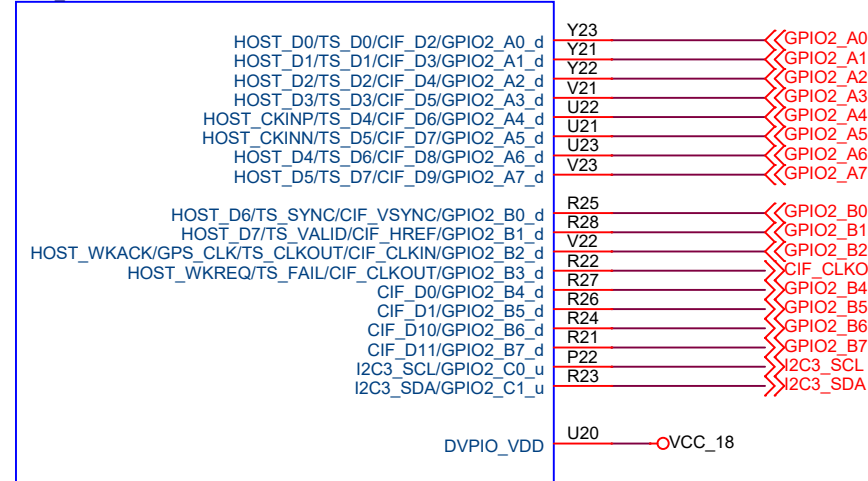
# RK3288\_T



Title			RK3288_vmarc		
Size	Document Number	SARADC/Key Board		Rev	1.0
A					
Date:	Thursday, November 14, 2019	Sheet	5	of	13

# RK3288\_C

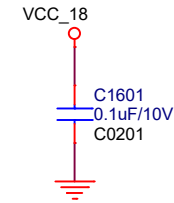
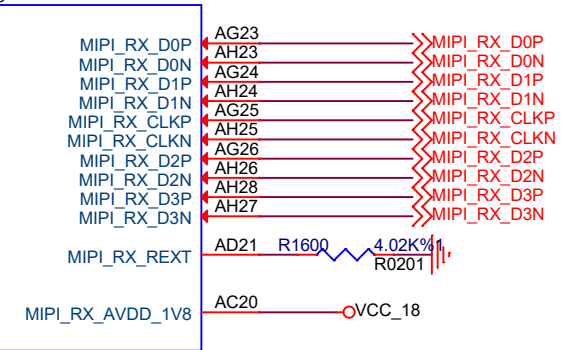
U1000C  
MCU\_RK3288



Note: All the capacitor should be place close to the power pin of RK3288.

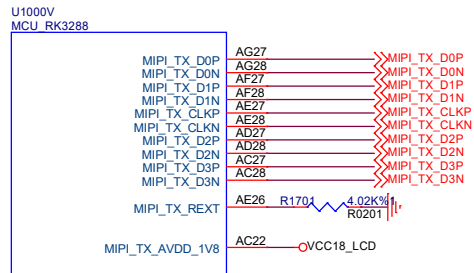
# RK3288\_W

U1000W  
MCU\_RK3288

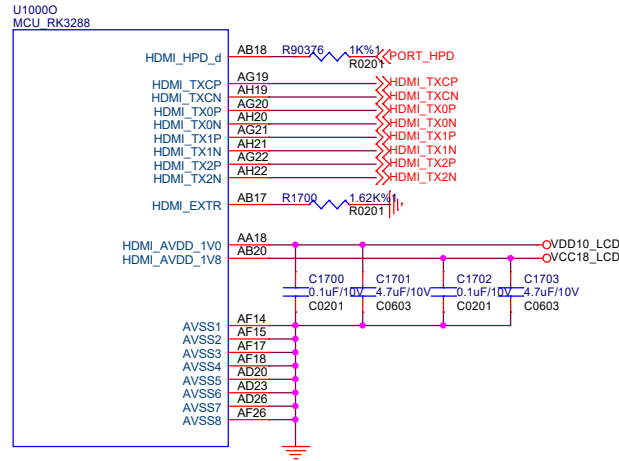


Title			RK3288_vmarc		
Size	Document Number	DVP Interface		Rev	1.0
A4					
Date:	Thursday, November 14, 2019	Sheet	6	of	13

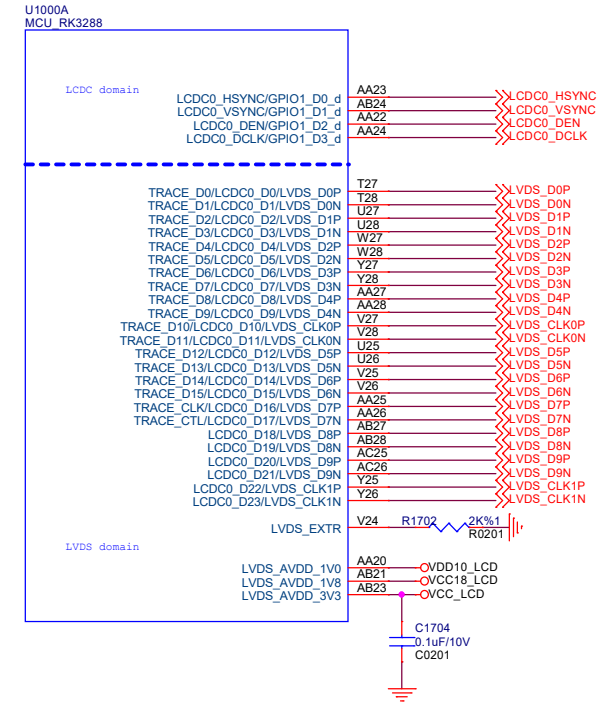
# RK3288\_V



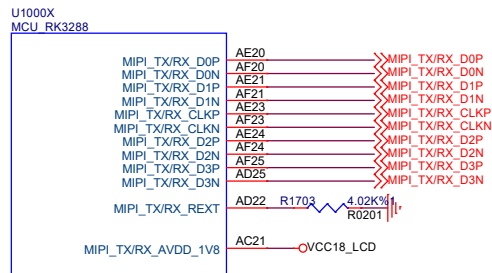
# RK3288\_O



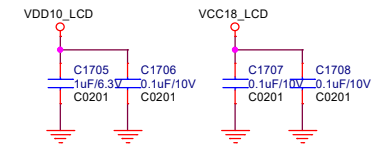
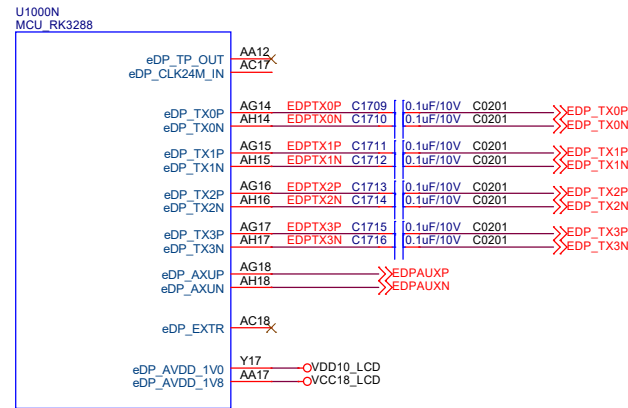
# RK3288\_A



# RK3288\_X



# RK3288\_N

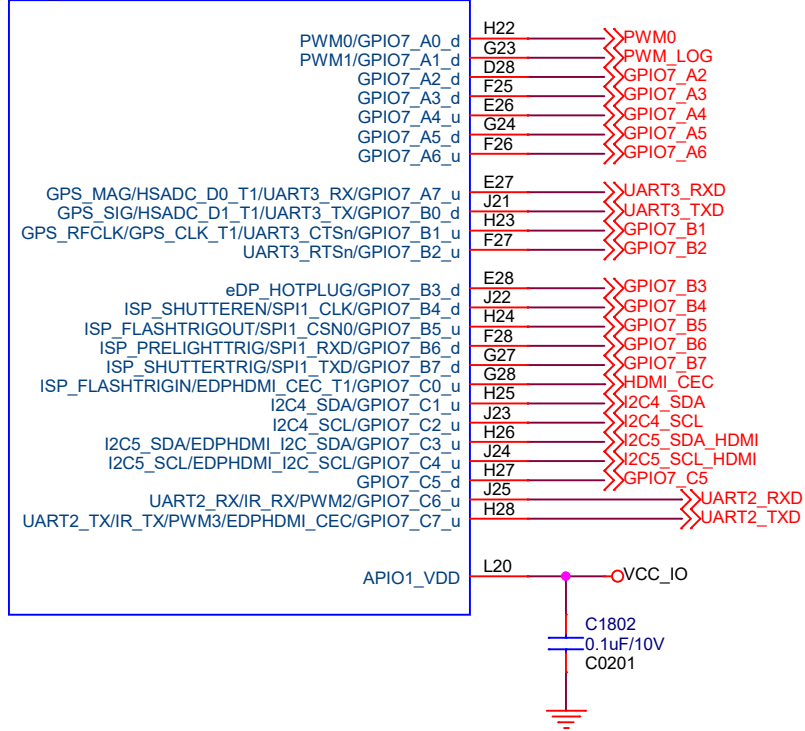


Note: All the capacitor should be place close to the power pin of RK3288.

Correspondence between LCDC DATA and RGB

LCDC	B	LCDC	G	LCDC	R
LCDC_D0	B0	LCDC_D8	G0	LCDC_D16	R0
LCDC_D1	B1	LCDC_D9	G1	LCDC_D17	R1
LCDC_D2	B2	LCDC_D10	G2	LCDC_D18	R2
LCDC_D3	B3	LCDC_D11	G3	LCDC_D19	R3
LCDC_D4	B4	LCDC_D12	G4	LCDC_D20	R4
LCDC_D5	B5	LCDC_D13	G5	LCDC_D21	R5
LCDC_D6	B6	LCDC_D14	G6	LCDC_D22	R6
LCDC_D7	B7	LCDC_D15	G7	LCDC_D23	R7

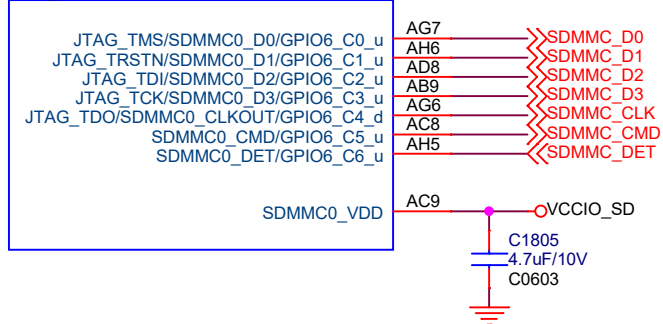
U1000F  
MCU\_RK3288



## RK3288\_F

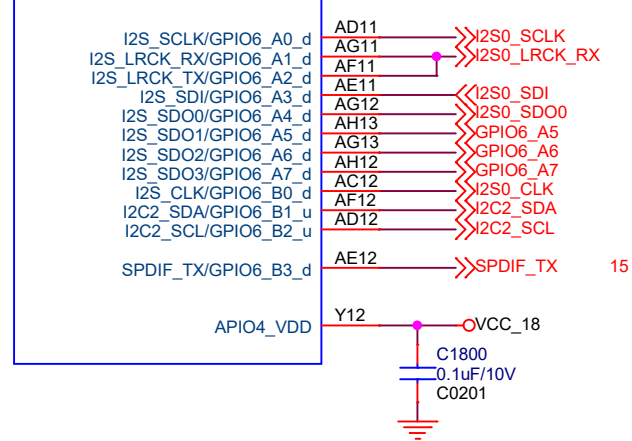
## RK3288\_B

U1000B  
MCU\_RK3288



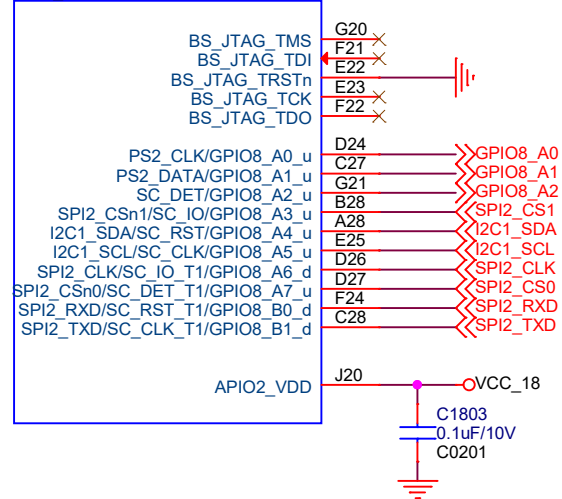
## RK3288\_I

U1000I  
MCU\_RK3288



## RK3288\_G

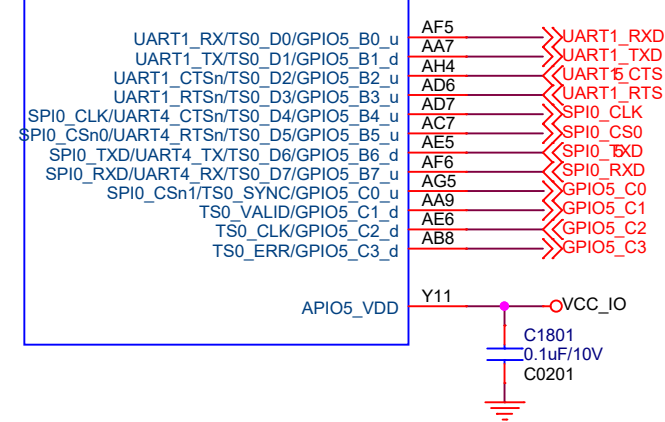
U1000G  
MCU\_RK3288



Note:BS JTAG TRSTn must connected to VSS and APIO2\_VDD must be power supply always.  
 Note:All the capacitor should be place close to the power pin of RK3288.

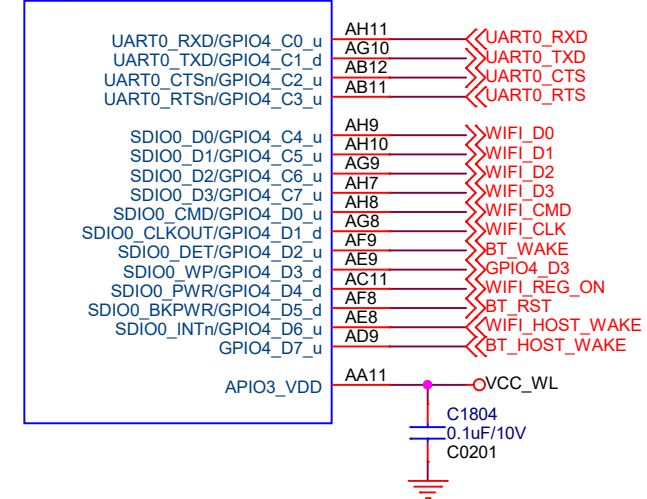
## RK3288\_J

U1000J  
MCU\_RK3288



## RK3288\_H

U1000H  
MCU\_RK3288

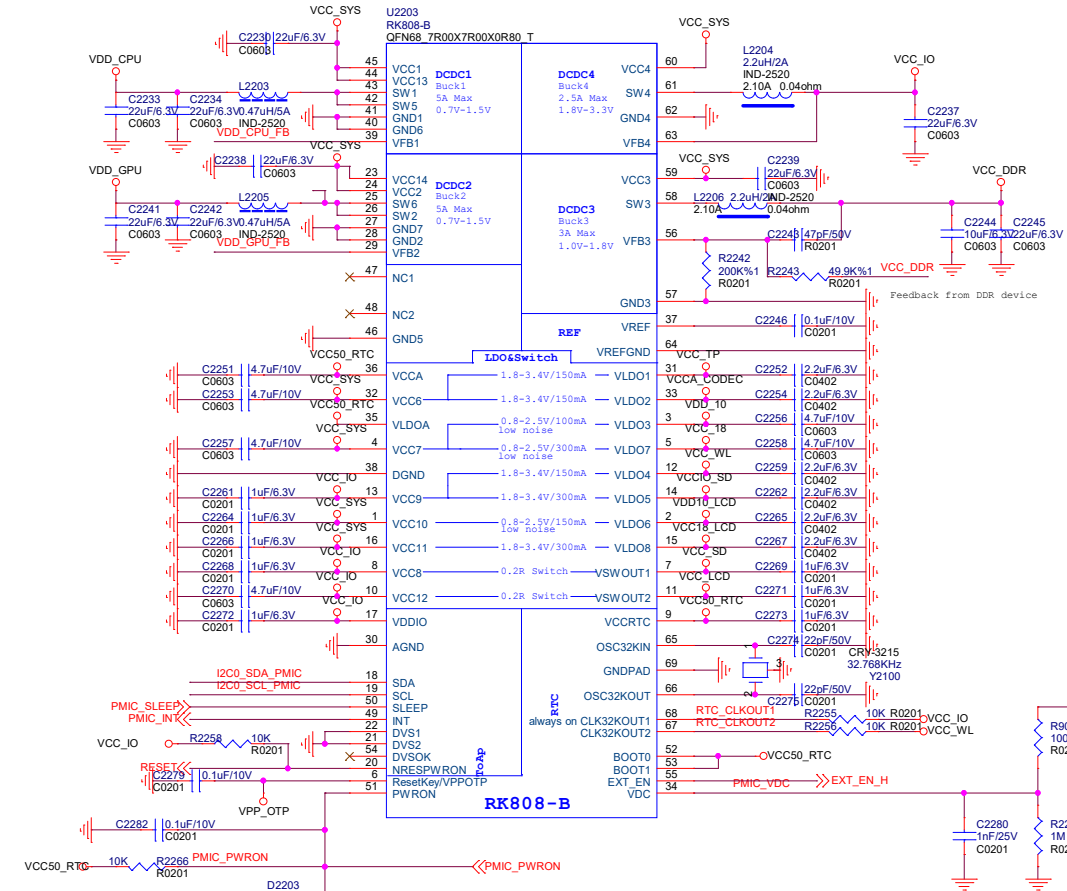


Title		RK3288_vmarc	
Size	Document Number	GPIO	
A4			
Date:	Thursday, November 14, 2019	Sheet	8 of 13
		Rev	1.0



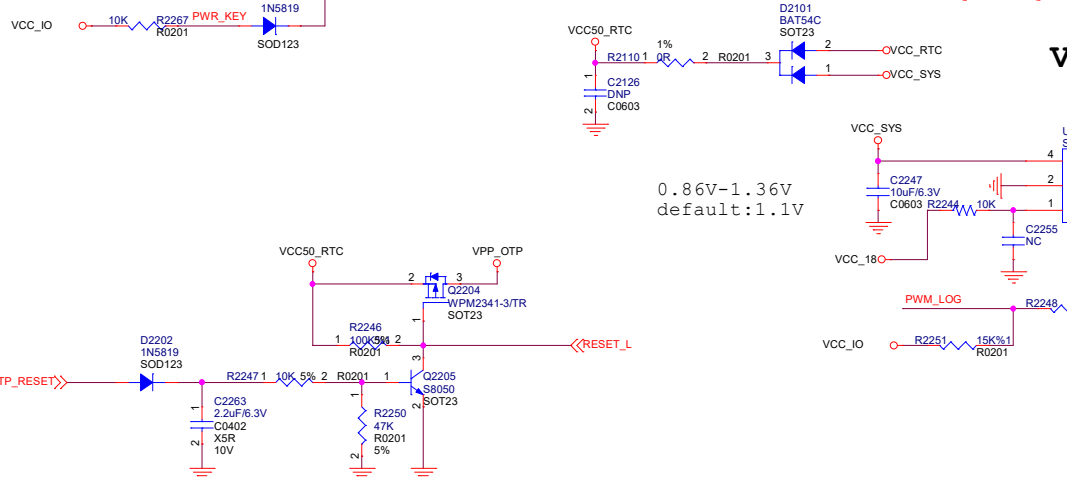
# PMIC RK808-B

- ◀ PWM\_LOG
- ◀ I2C0\_SCL\_PMIC
- ◀ I2C0\_SDA\_PMIC
- ◀ RTC\_CLKOUT1
- ◀ RTC\_CLKOUT2
- ◀ VDD\_CPU\_FB
- ◀ VDD\_GPU\_FB
- ◀ PWR\_KEY
- ◀ PMIC\_PWRON



DDR Type	OutPut Voltage	R2243	R2242
DDR3	1.5V	100R	200R
DDR3L	1.358V	43K	120R
LPDDR2/3	1.25V	49.9K	200R

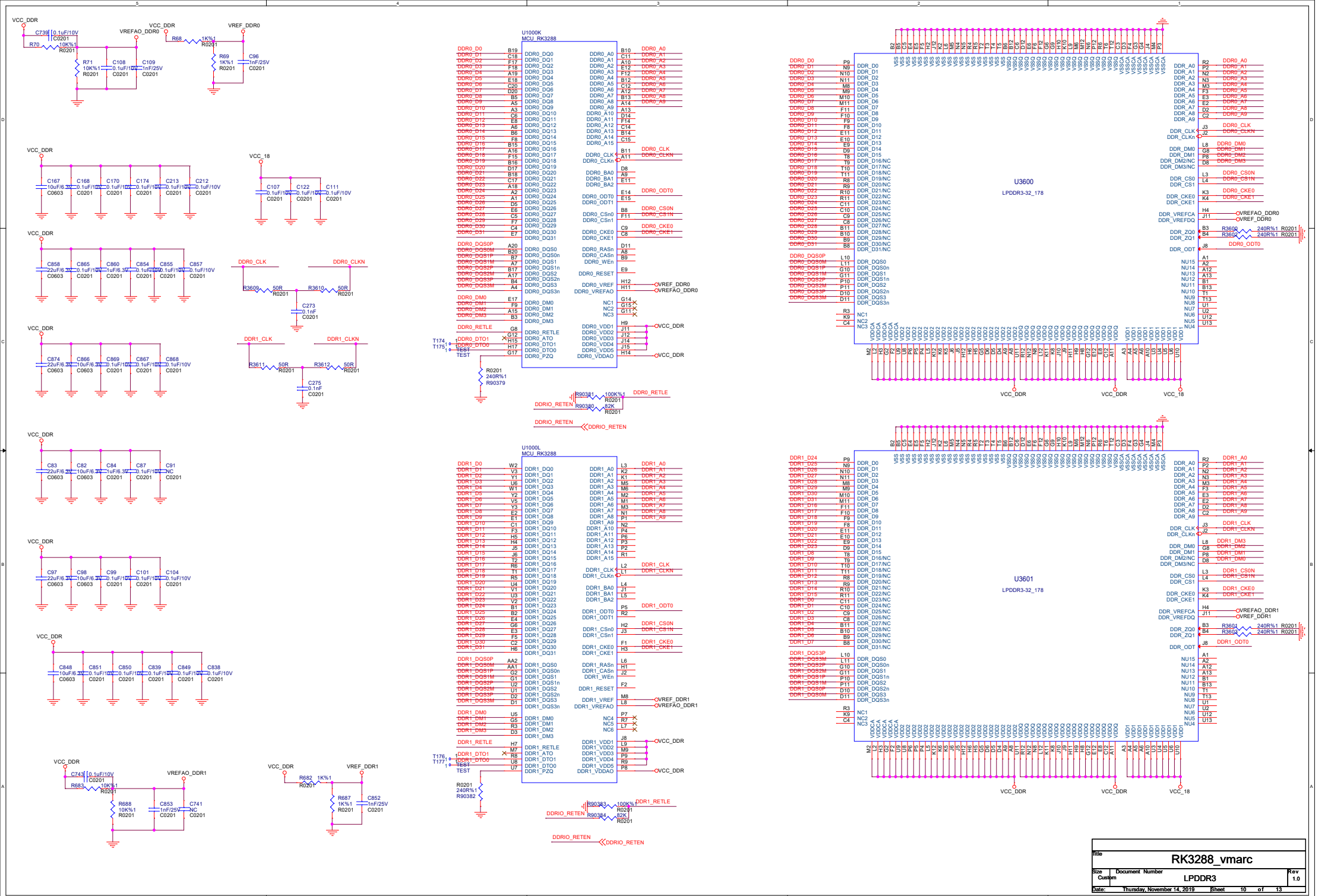
PowerName	PMIC Channel1	TIMER (2ms)	Default SW/OFF	default voltage	sleep ON/OFF
VDD_IO	VLD03	sol1:1	ON	1.0V	ON
VDD_CPU	DCDC1	sol1:2	ON	1.1V	OFF
VDD_GPU	DCDC2	sol1:3	ON	1.1V	OFF
VCC_DDR	DCDC3	sol1:3	ON	DDR3 1.5V DDR3L 1.35V LPDDR 1.25V	ON
VCC_LOG	EX DCDC	sol1:3A	ON	1.0V	OFF
VCC_18	VLD07	sol1:3	ON	1.8V	ON
VCC_TP	VLD01	sol1:4	ON	1.8V	ON
VCC_IO	DCDC4	sol1:4	ON	3.3V	ON
VCCIO_SD	VLD05	sol1:5	ON	3.3V	OFF
VCC_SD	VSWOUT1	sol1:5	ON	3.3V	OFF
VDDIO_LCD	VLD06	OFF	OFF	1.0V	OFF
VCC19_LCD	VLD08	OFF	OFF	1.8V	OFF
VCCA_CODEC	VLD02	OFF	OFF	3.3V	OFF
VCC_WL	VLD04	OFF	OFF	1.8V	OFF
VCC_LCD	VSWOUT2	OFF	OFF	3.3V	OFF



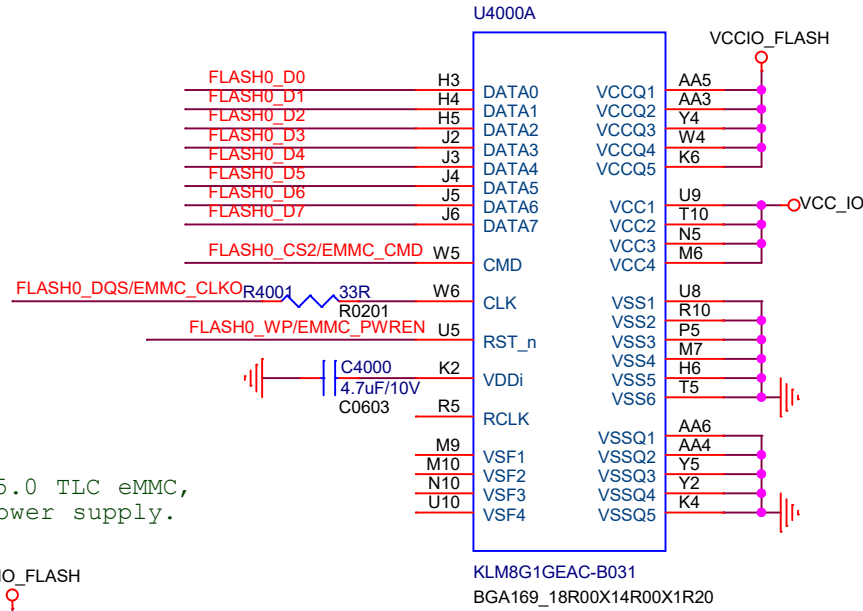
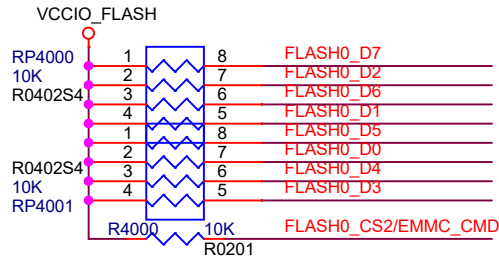
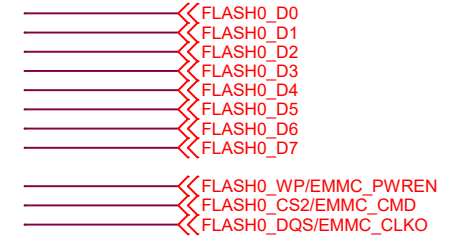
## VDD\_LOG POWER

0.86V-1.36V  
default:1.1V

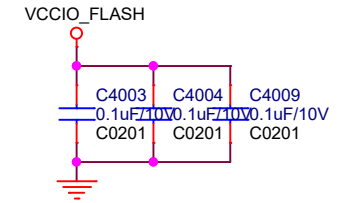
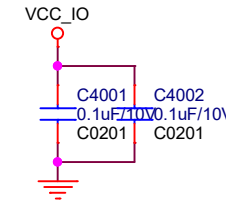
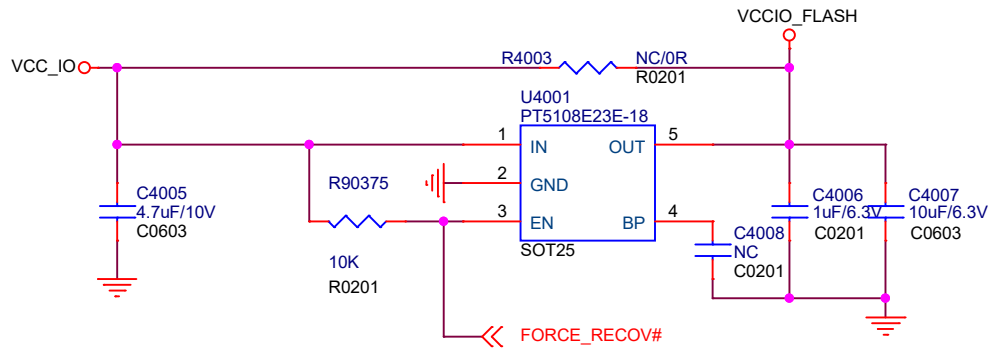
Title			RK3288_ymarc		
Size	Document Number	Power-RK808-B			Rev
Custom					1.0
Date:	Thursday, November 14, 2019	Sheet	9	of	13

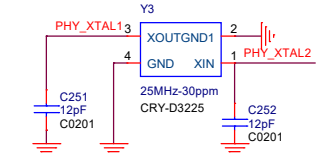
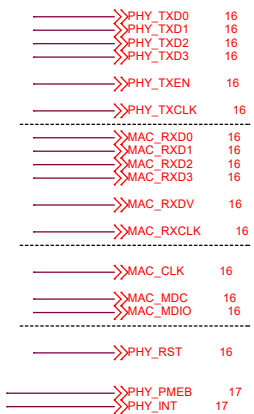


# eMMC FLASH

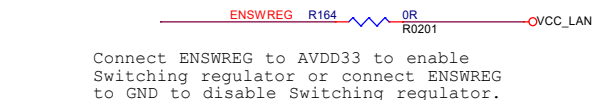
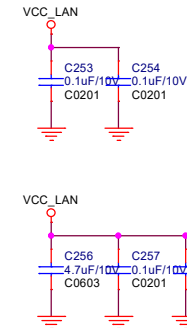
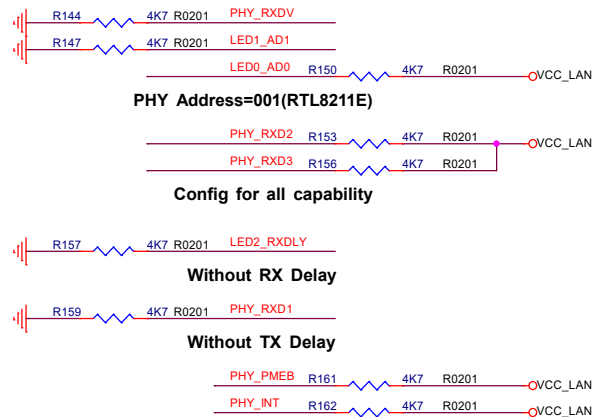
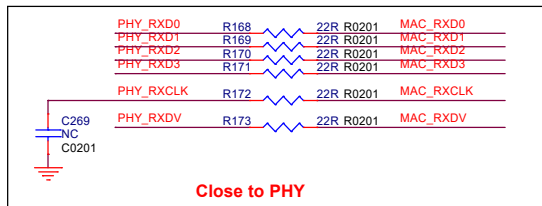
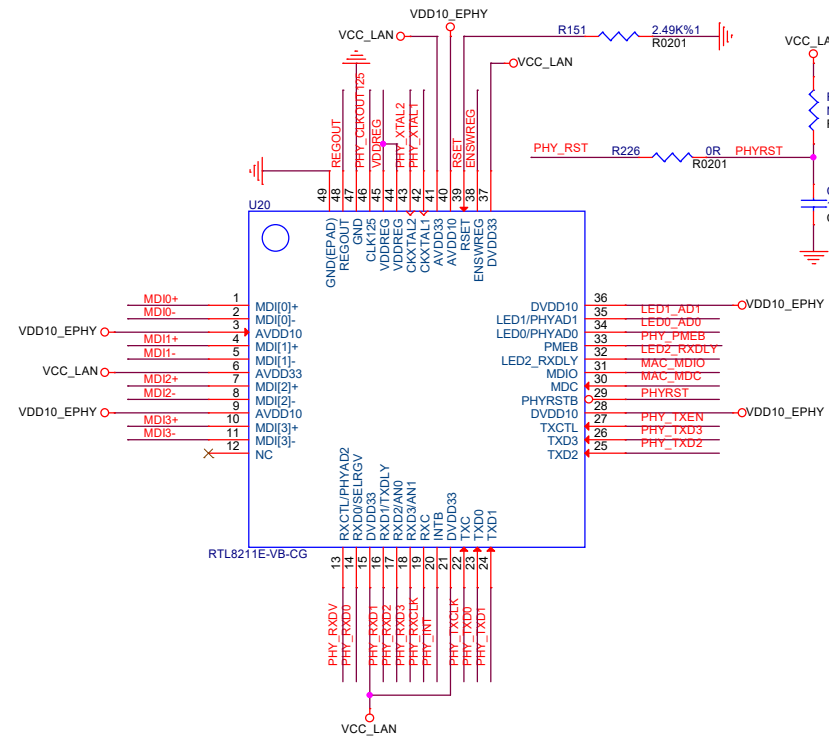


Note:U4001 must be use for Sandisk 5.0 TLC eMMC, because it support only 1.8V VCCQ power supply.

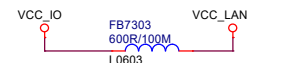
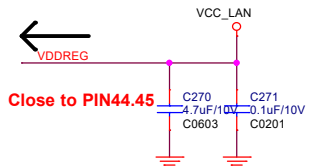
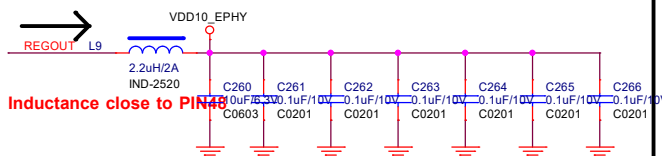




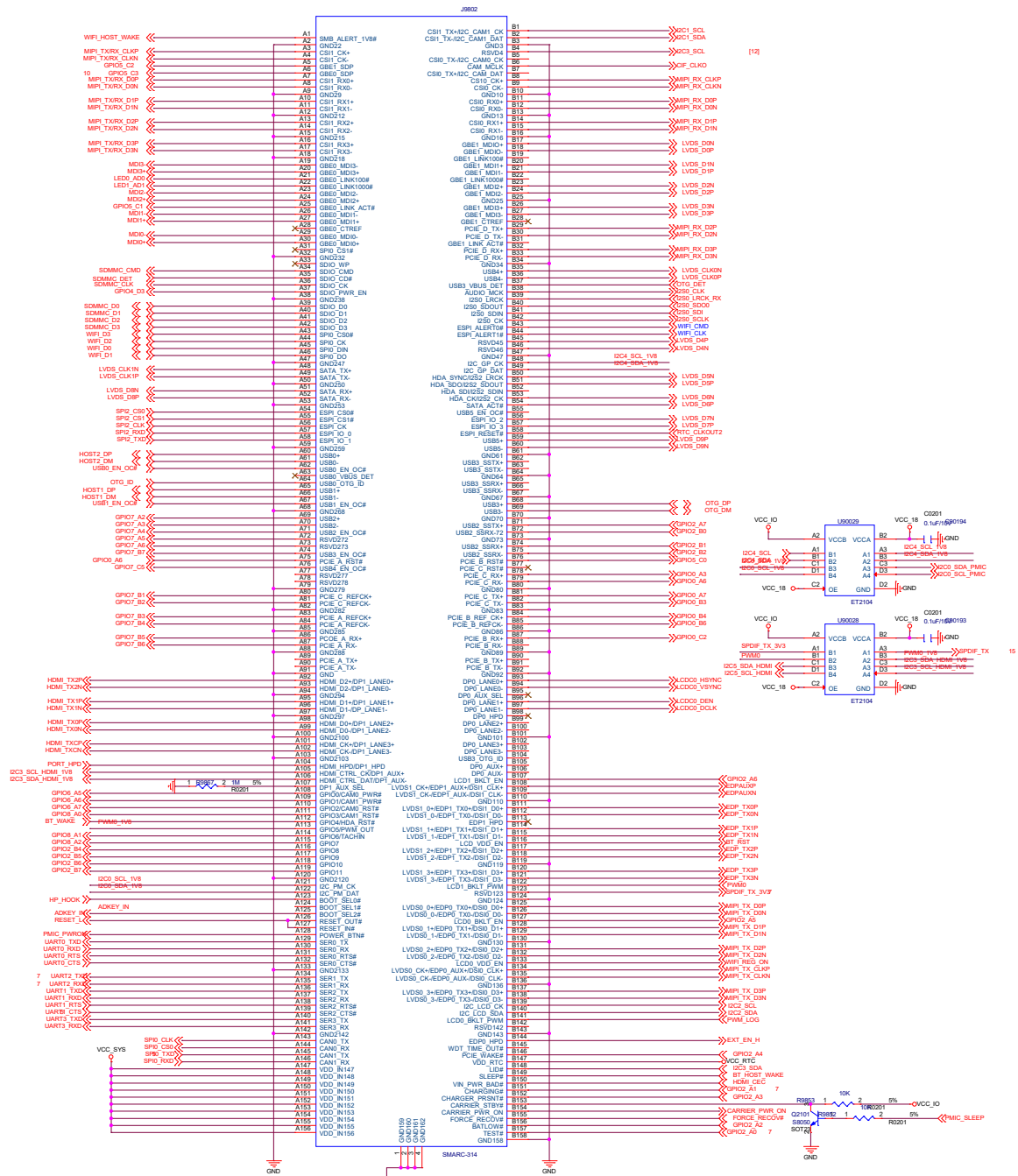
If use external clock then the XTAL2 need connect to GND for RTL8211E.



Pull down for 2.5V RGMII(RTL8211D/8211E)  
 Pull up for 3.3V RGMII (RTL8211D/8211E)  
 Pull up1.5 /1.8V RGMII (RTL8211E-VL only)

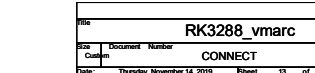


Title			RK3288_vmarc
Size	Document Number	RTL8211E	
A3			Rev 1.0
Date:	Thursday, November 14, 2019	Sheet	12 of 13



119

15



Doc	RK3288_vmarc		Rev
Doc Number	CONNECT		1.0
Class			
Date	Thursday, November 14, 2019	Sheet	13 of 13