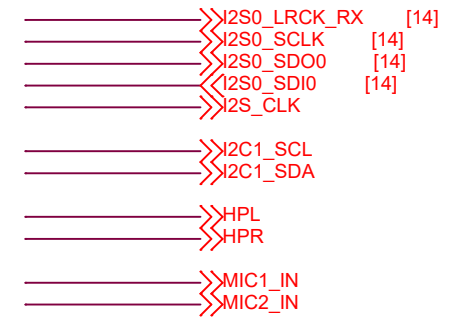
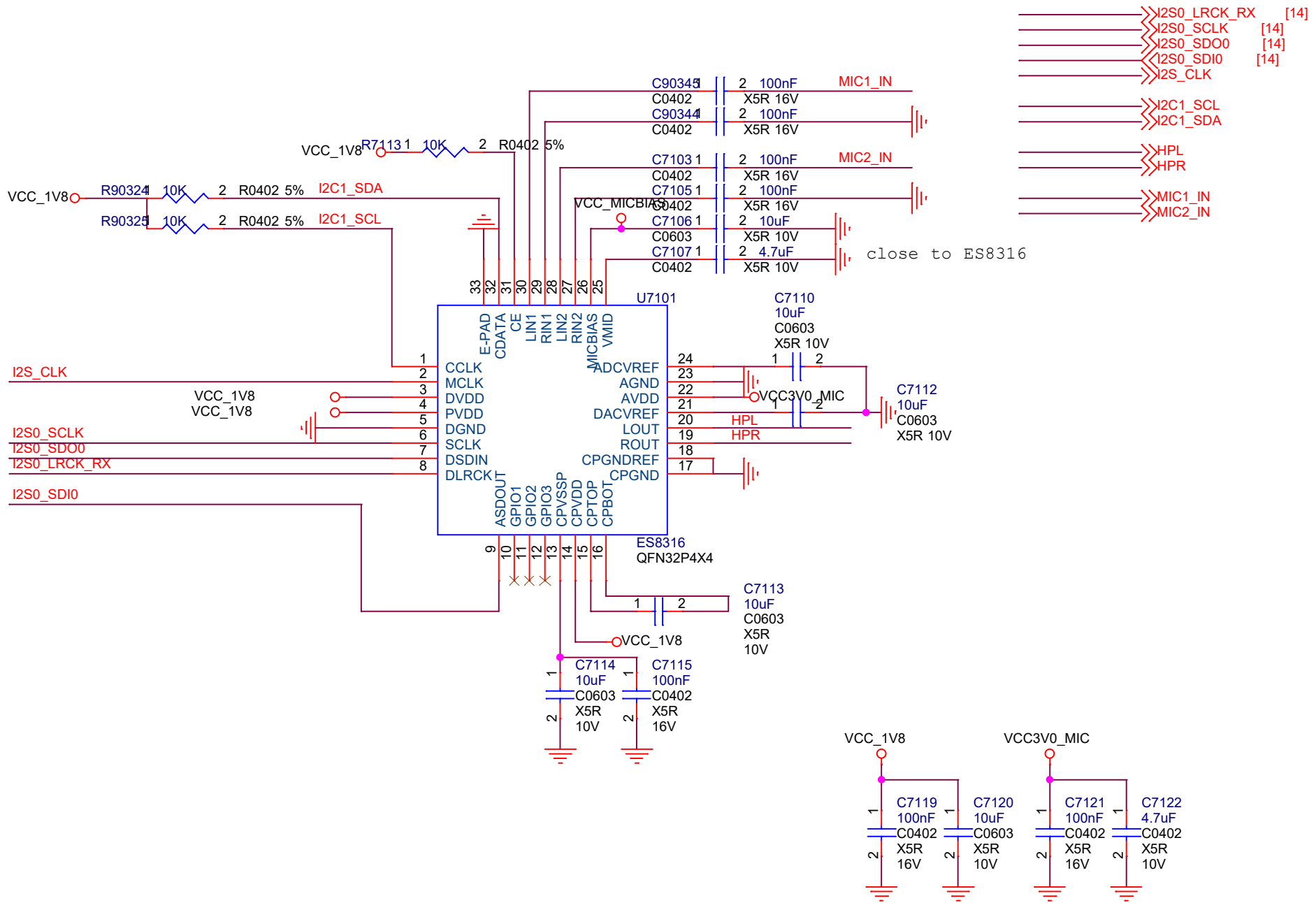
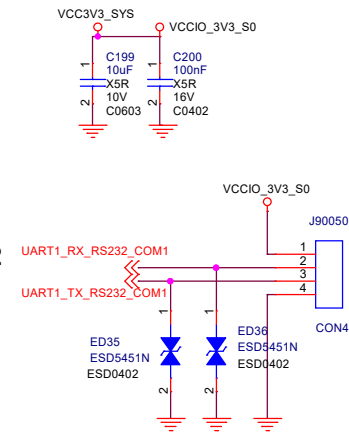
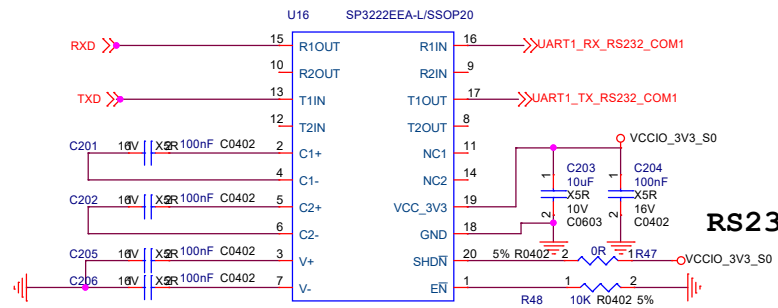
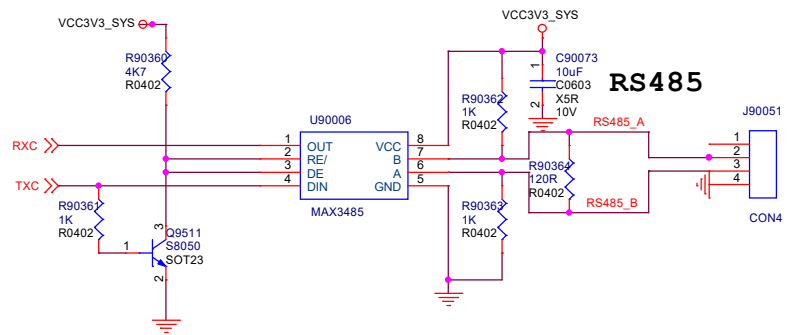


GPIO2\_A6\_D
   
GPIO0\_B0\_U
   
GPIO1\_A2\_D
   
GPIO0\_A1\_U

Title		
<Title>		
Size	Document Number	Rev
A	<Doc>	<RevCode>
Date:	Thursday, March 19, 2020	Sheet 1 of 1

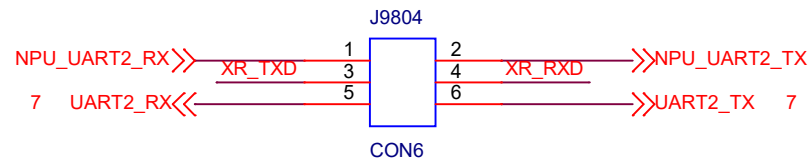
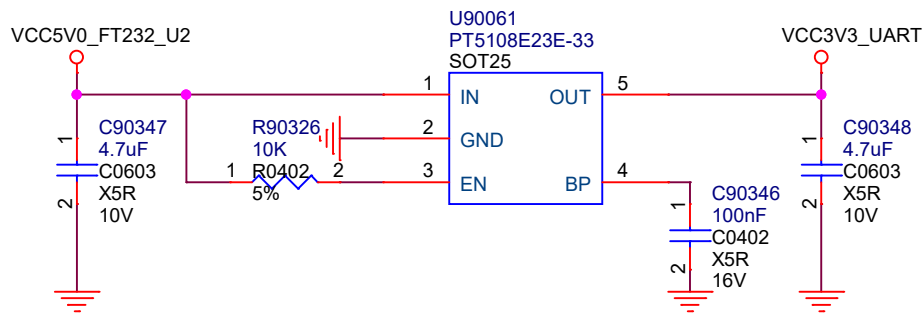
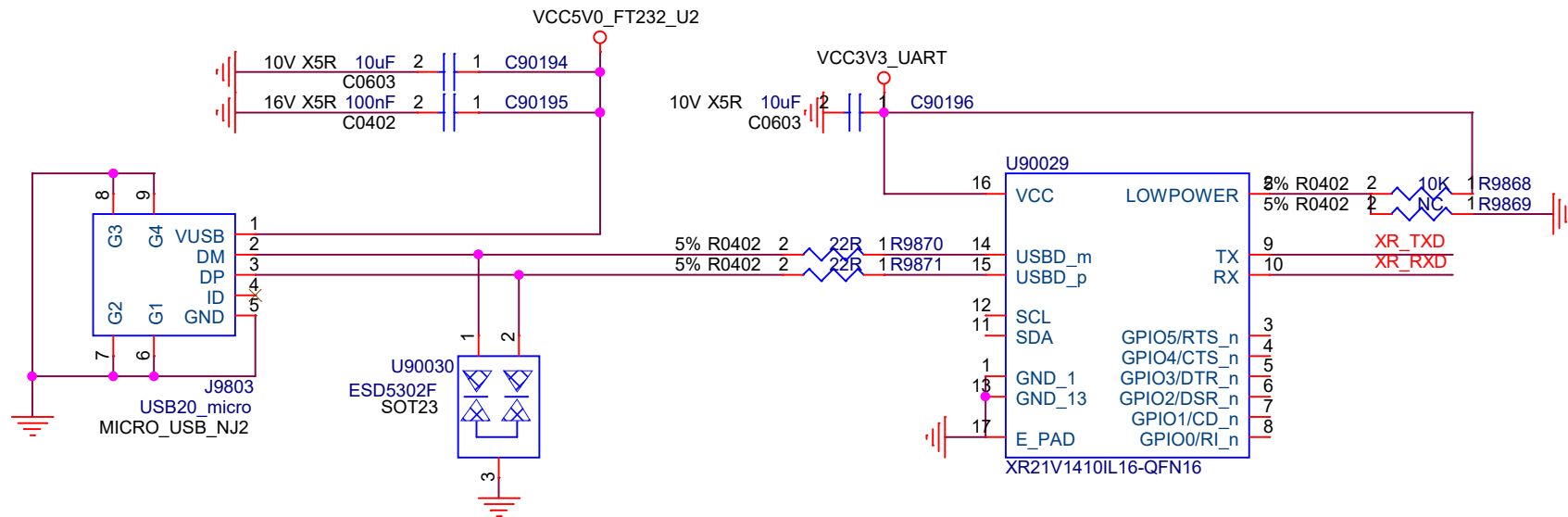


Title		
<Title>		
Size	Document Number	Rev
A	<Doc>	<RevCode>
Date:	Thursday, March 19, 2020	Sheet 1 of 1



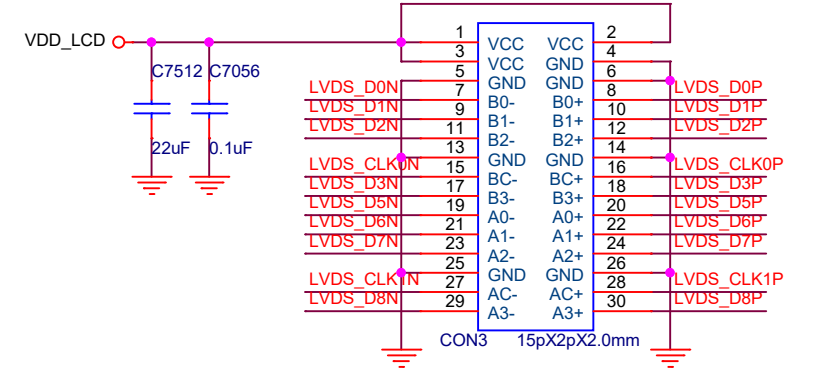
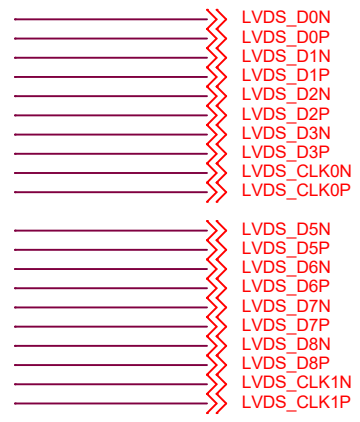
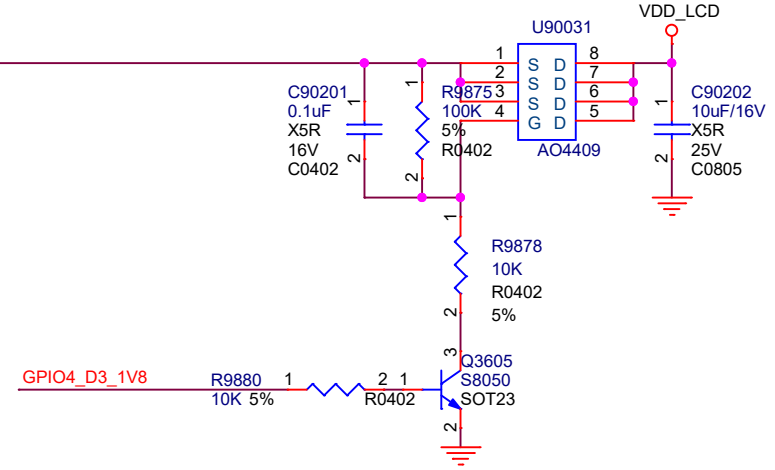
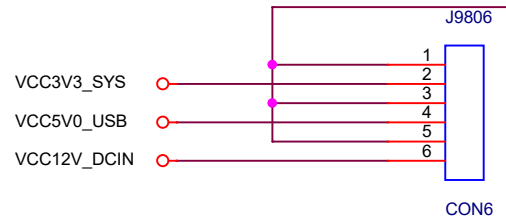
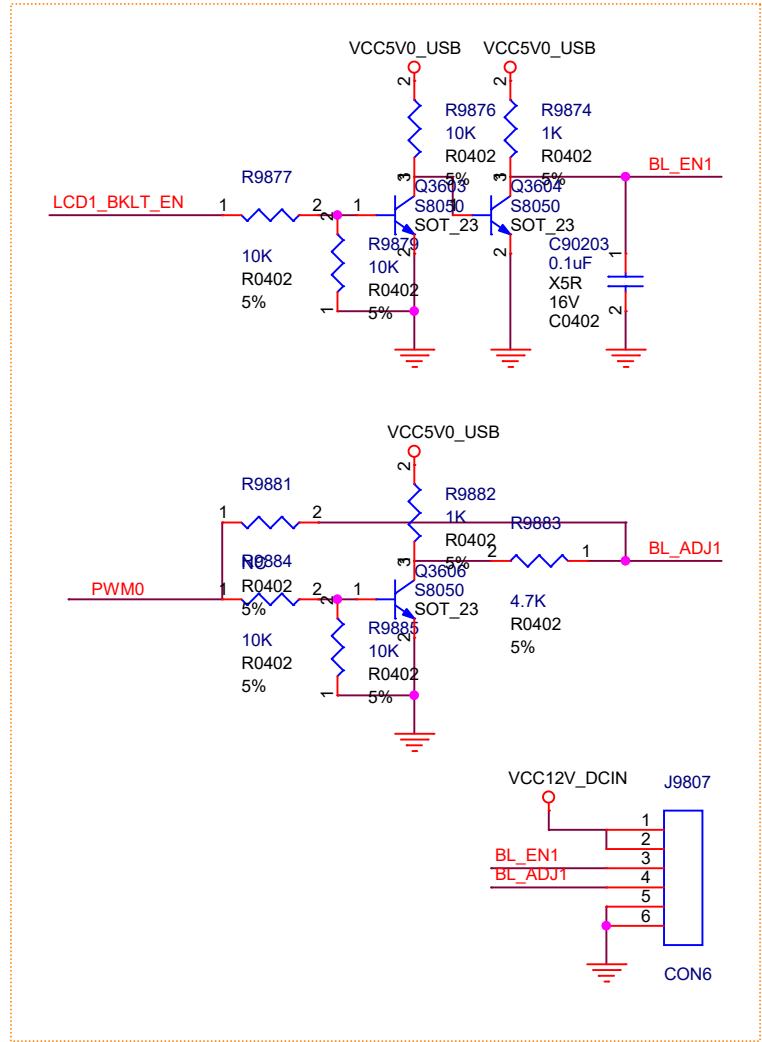
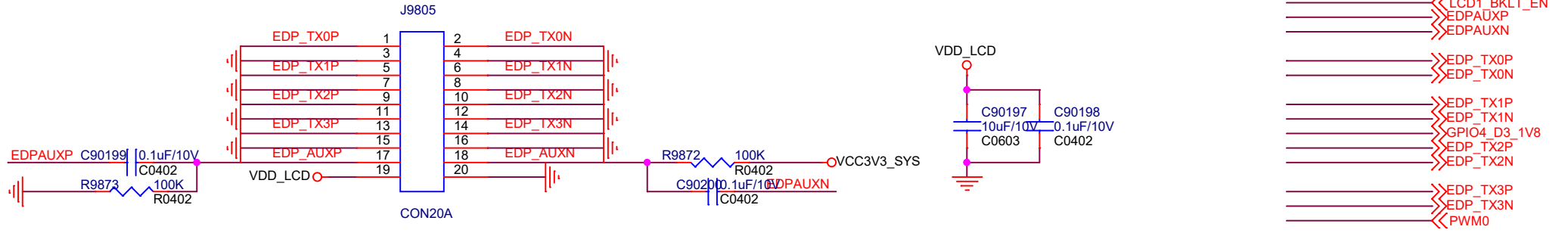
RS232

Title			<Title>
Size	Document Number	Rev	
A3	<Doc>	<Rev Code>	
Date:	Thursday, March 19, 2020	Sheet	1 of 1



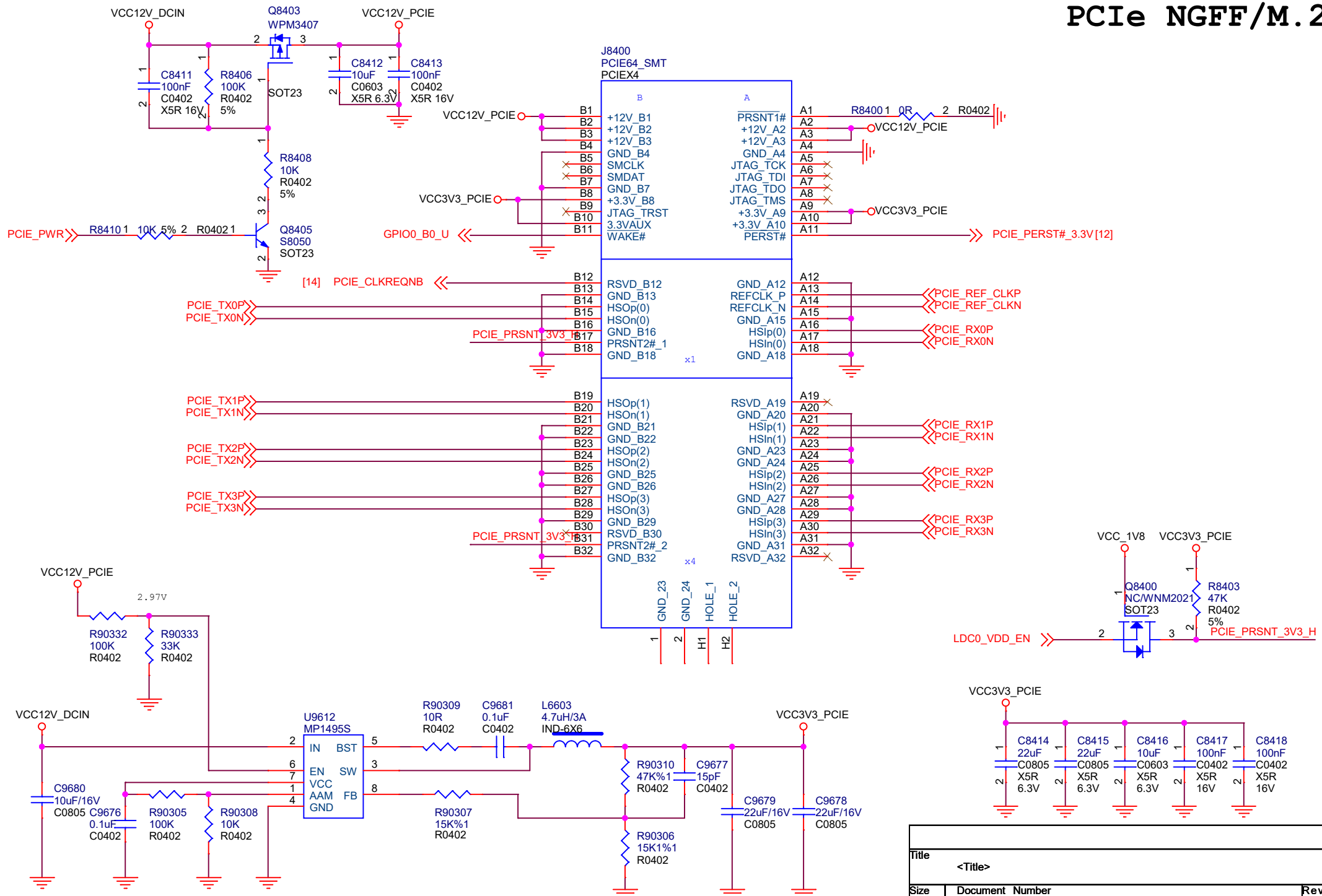
Title		
<Title>		
Size	Document Number	Rev
A	<Doc>	<RevCode>
Date:	Thursday, March 19, 2020	Sheet 2 of 34

# eDP Panel



Title			<Title>
Size	Document Number	Rev	
A4	<Doc>	<RevC>	
Date:	Thursday, March 19, 2020	Sheet	3 of 34

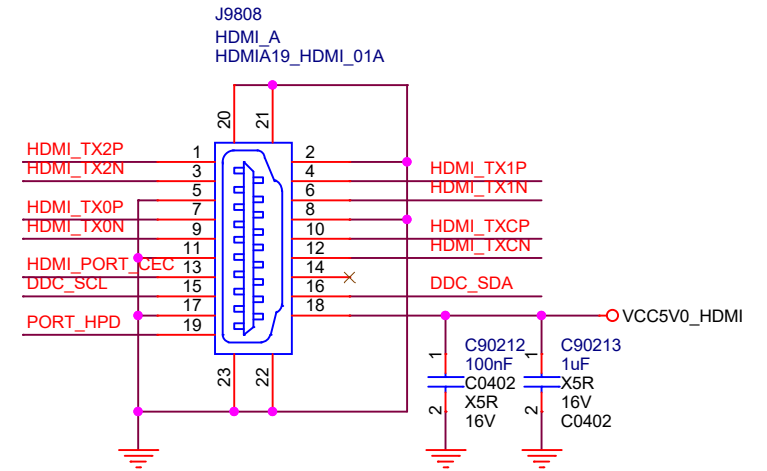
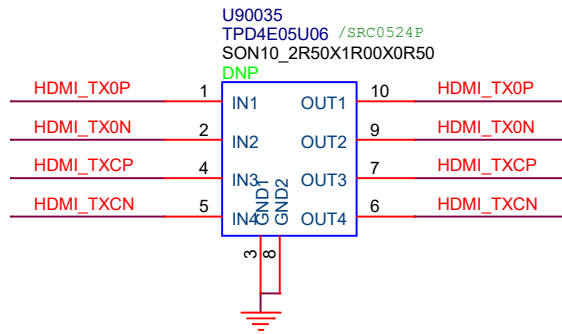
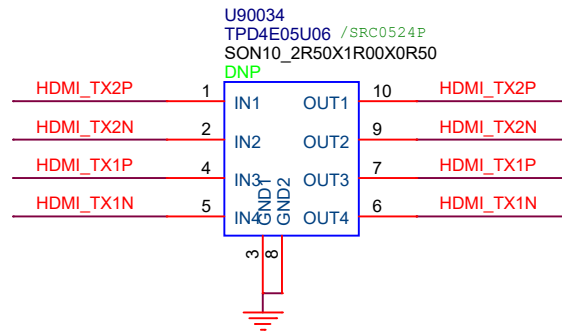
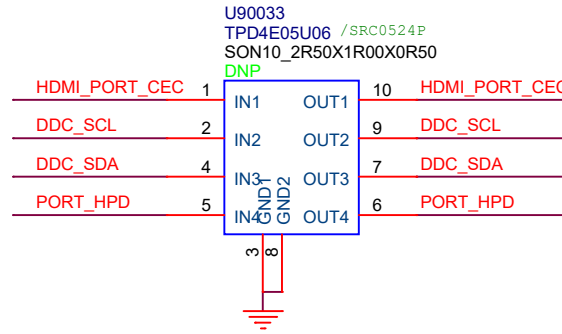
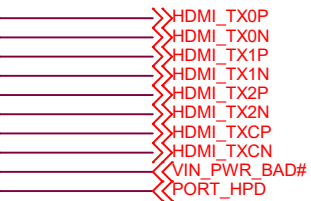
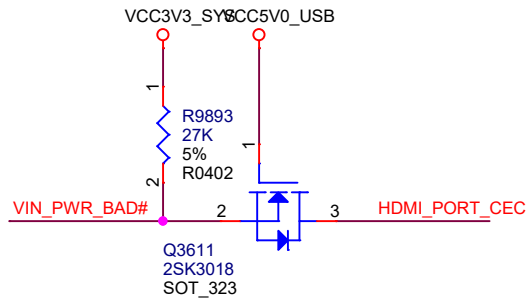
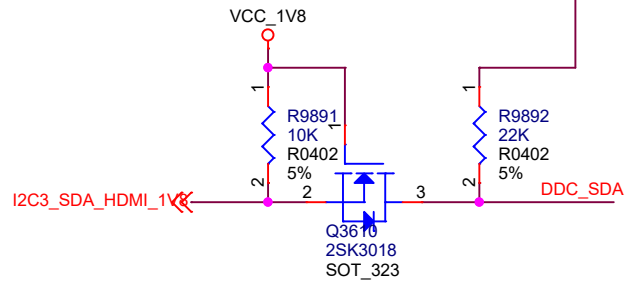
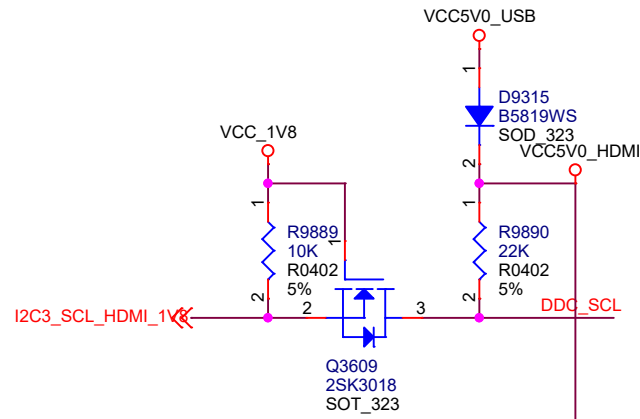
# PCIe NGFF/M.2



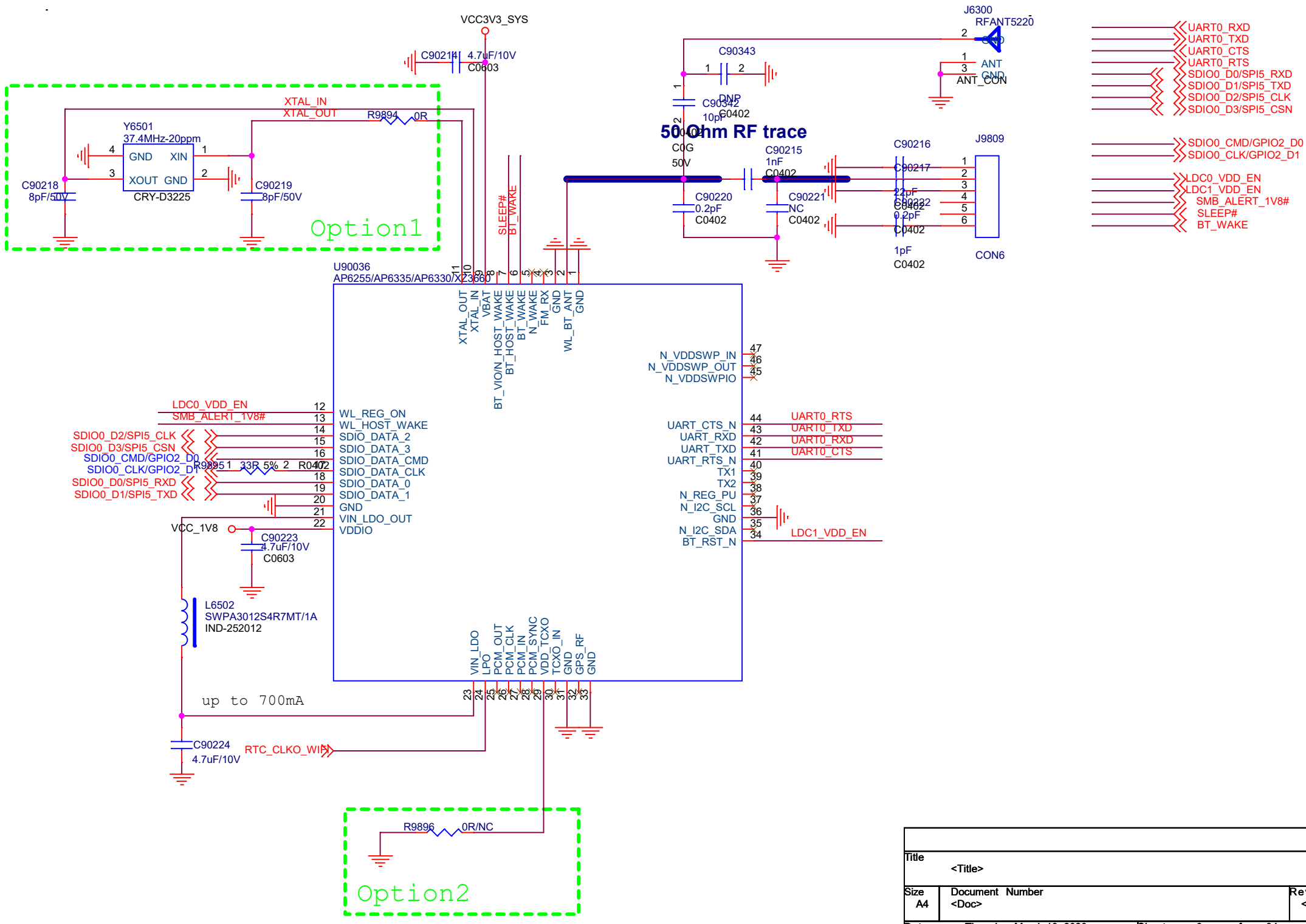
Title			<Title>
Size	Document Number	Rev	
A4	<Doc>	<RevC>	
Date:	Thursday, March 19, 2020	Sheet	4 of 34



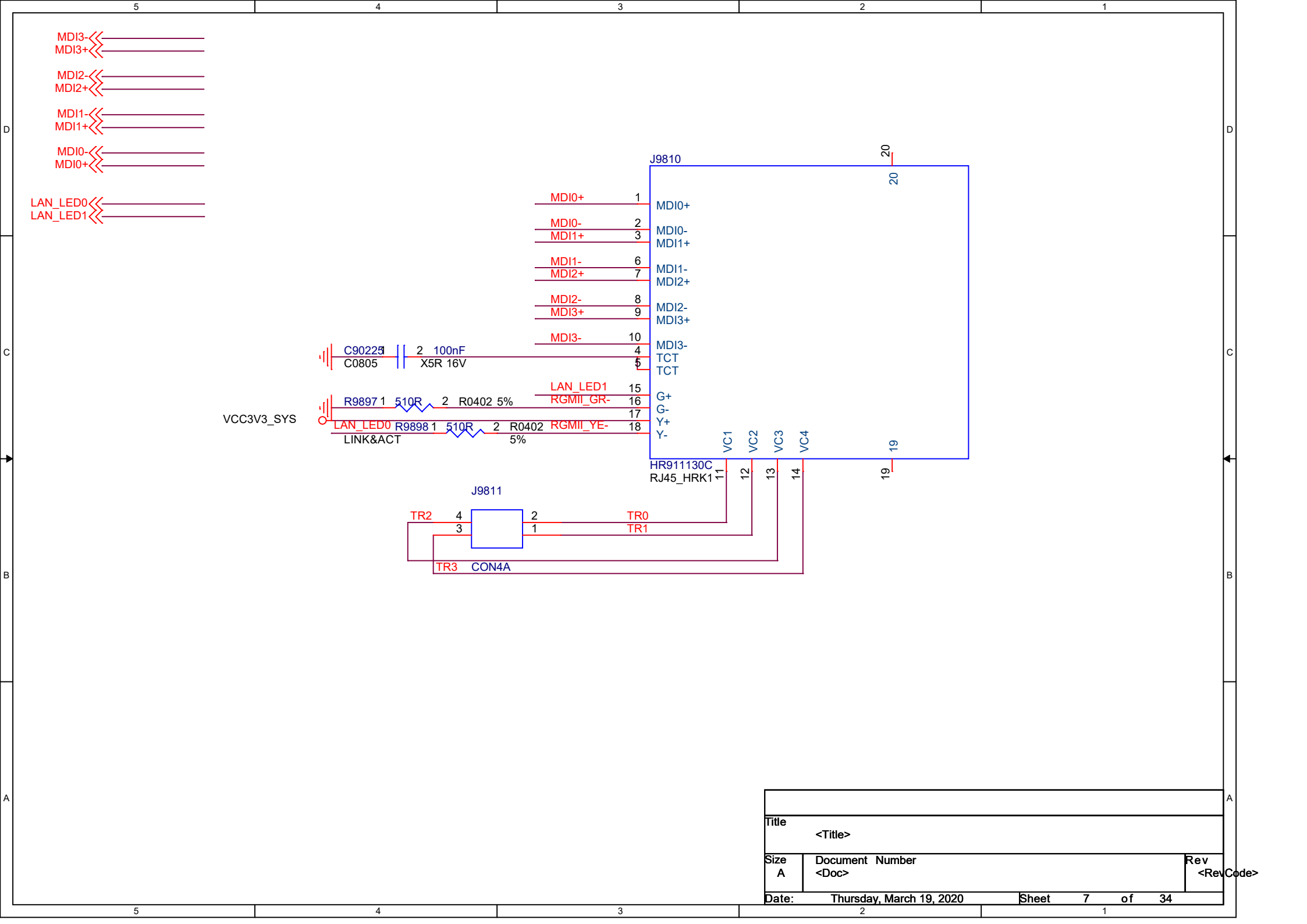
# HDMI Port



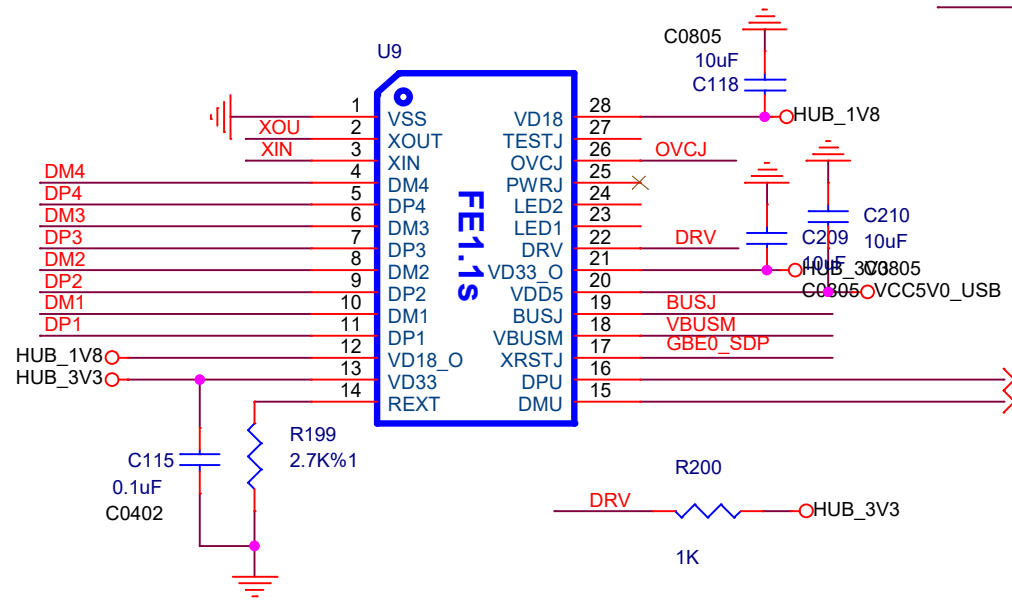
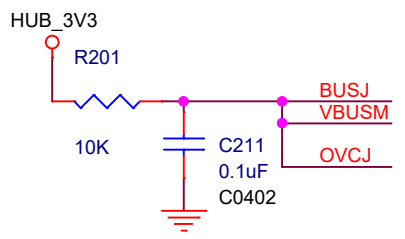
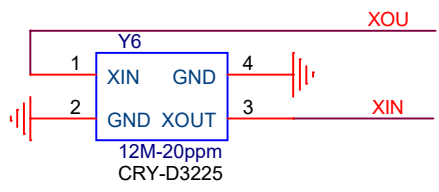
Title		
<Title>		
Size	Document Number	Rev
A4	<Doc>	<RevC>
Date:	Thursday, March 19, 2020	Sheet 5 of 34



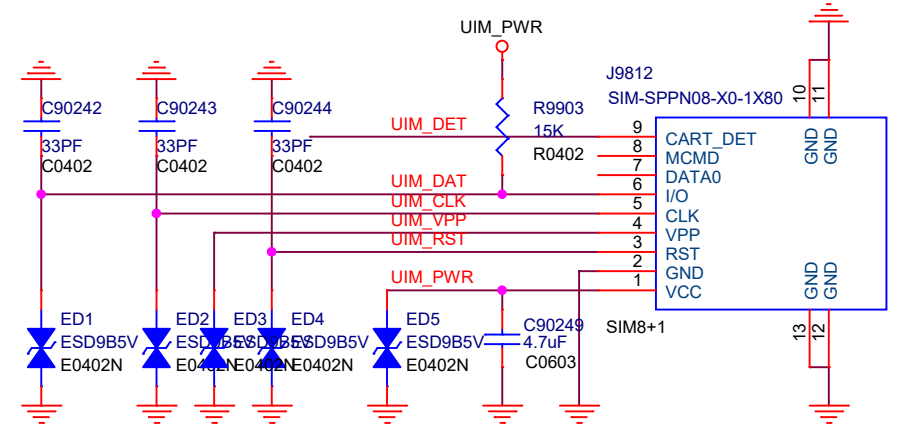
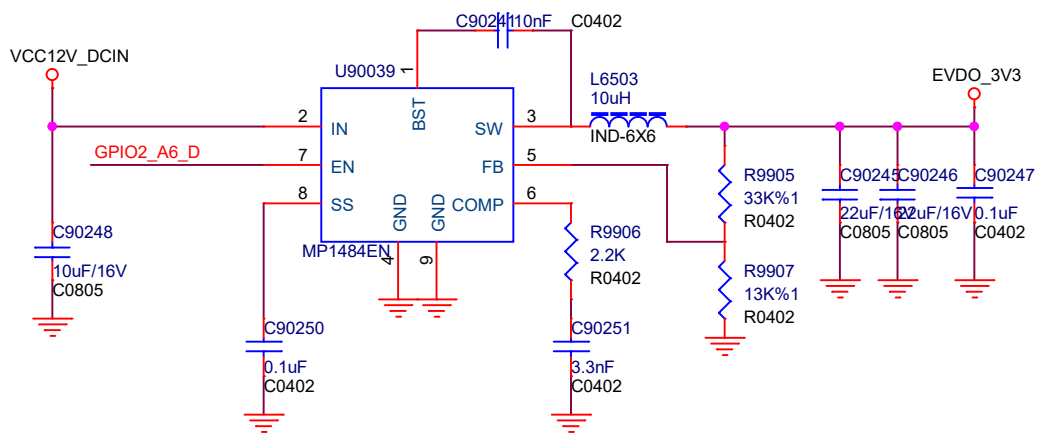
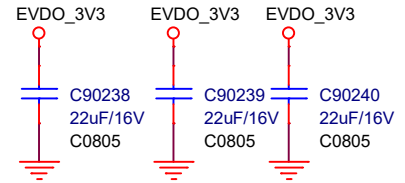
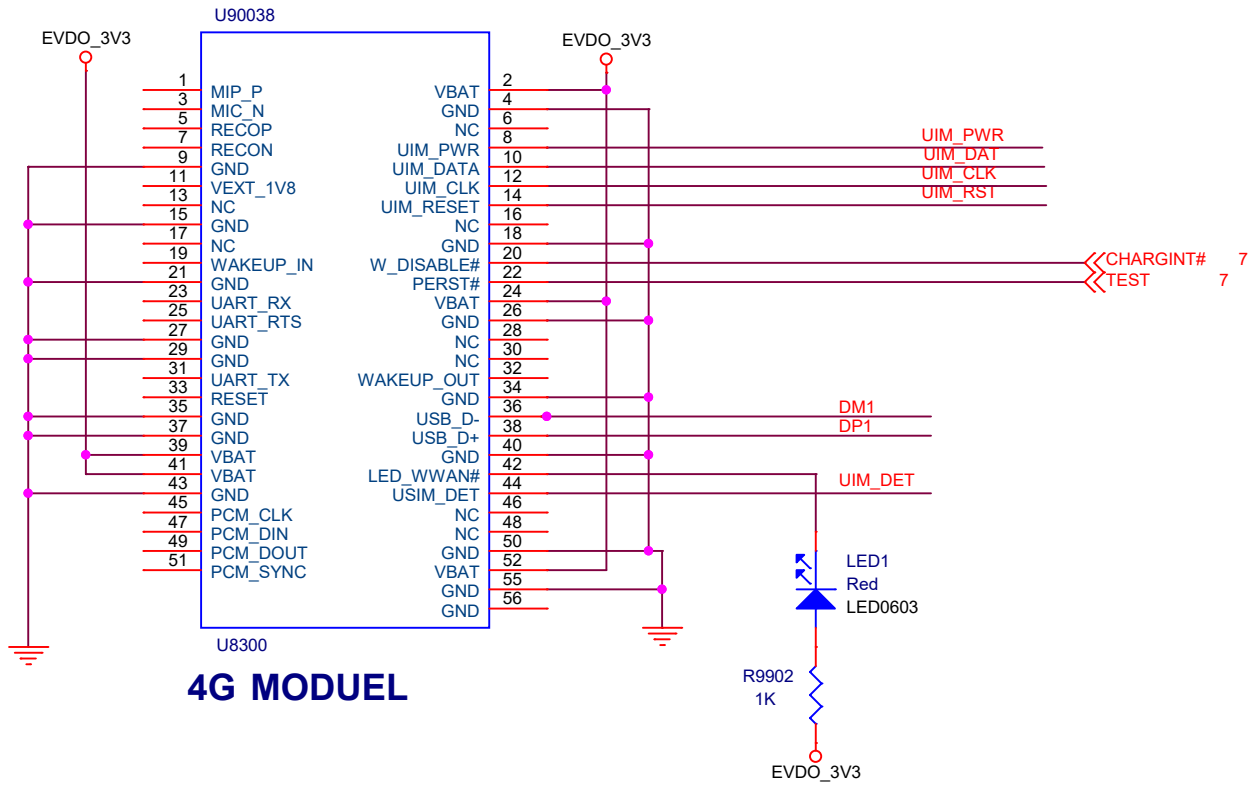
Title			<Title>
Size	Document Number	Rev	
A4	<Doc>	<RevC>	
Date:	Thursday, March 19, 2020	Sheet	6 of 34



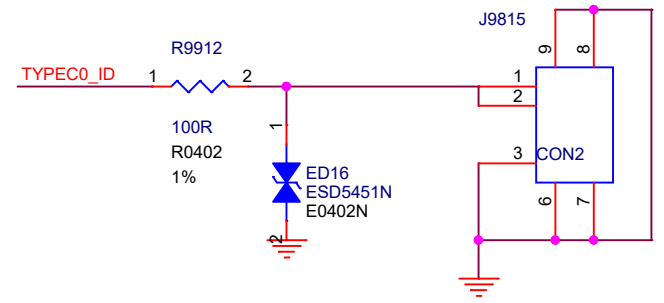
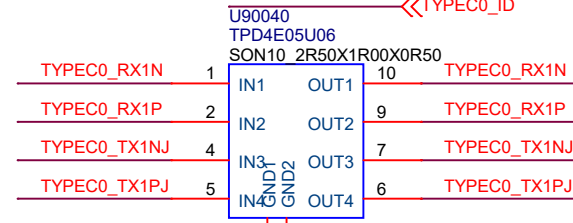
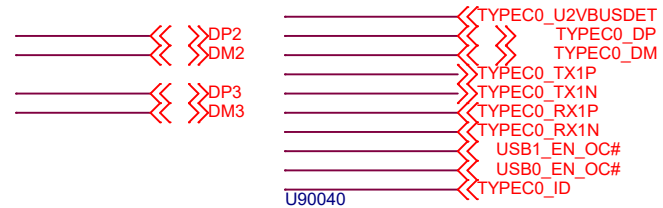
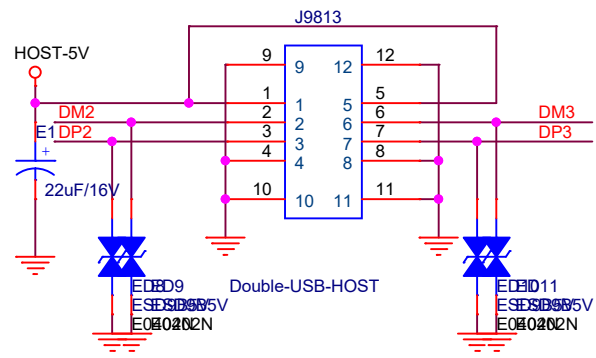
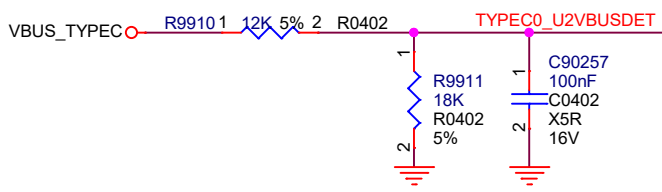
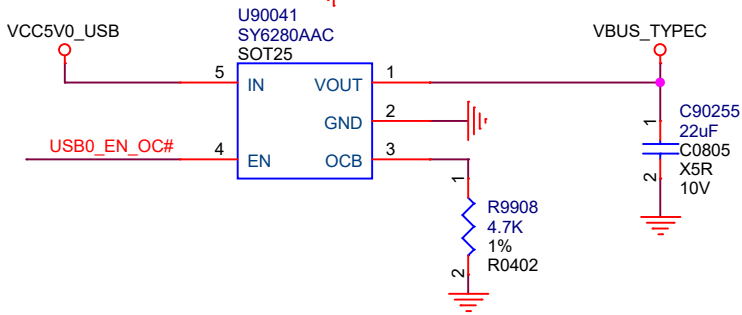
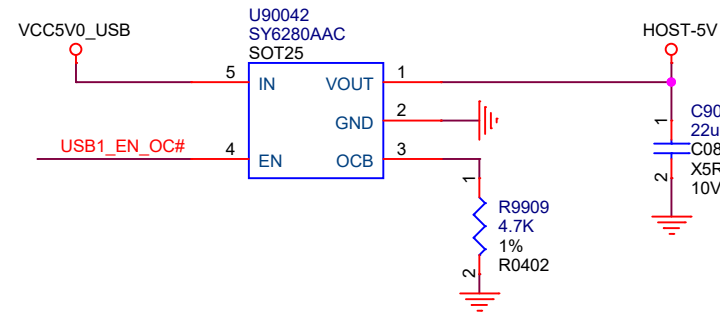
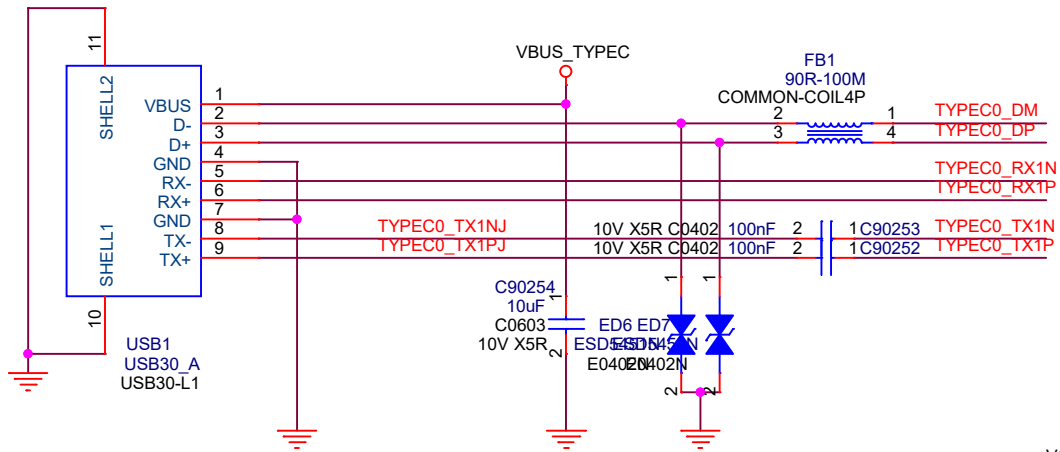
Title		
<Title>		
Size	Document Number	Rev
A	<Doc>	<RevCode>
Date:	Thursday, March 19, 2020	Sheet 7 of 34



Title		
<Title>		
Size	Document Number	Rev
A	<Doc>	<RevCode>
Date:	Thursday, March 19, 2020	Sheet 8 of 34

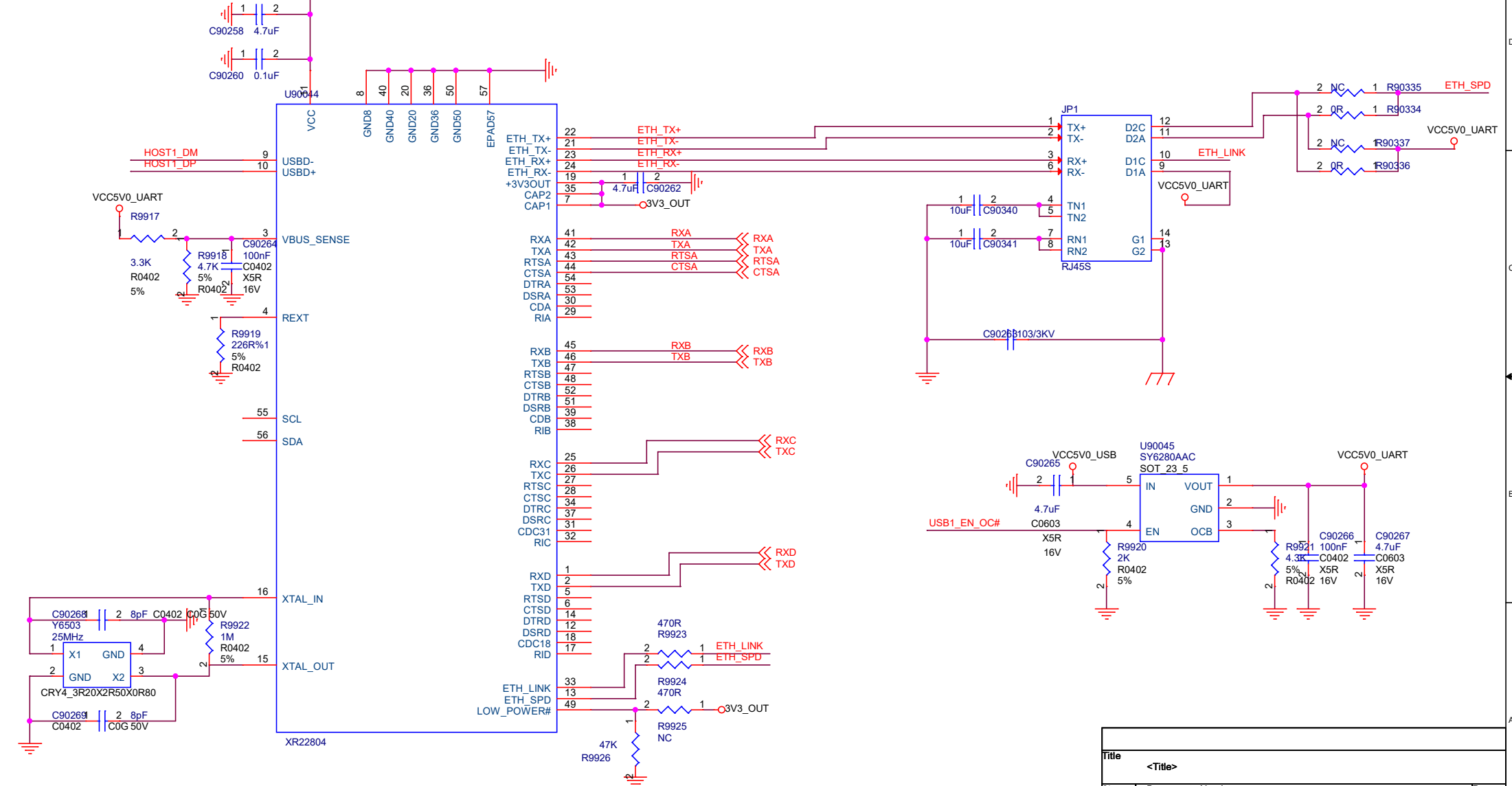


Title			<Title>
Size	Document Number	Rev	
A4	<Doc>	<RevC>	
Date:	Thursday, March 19, 2020	Sheet	9 of 34

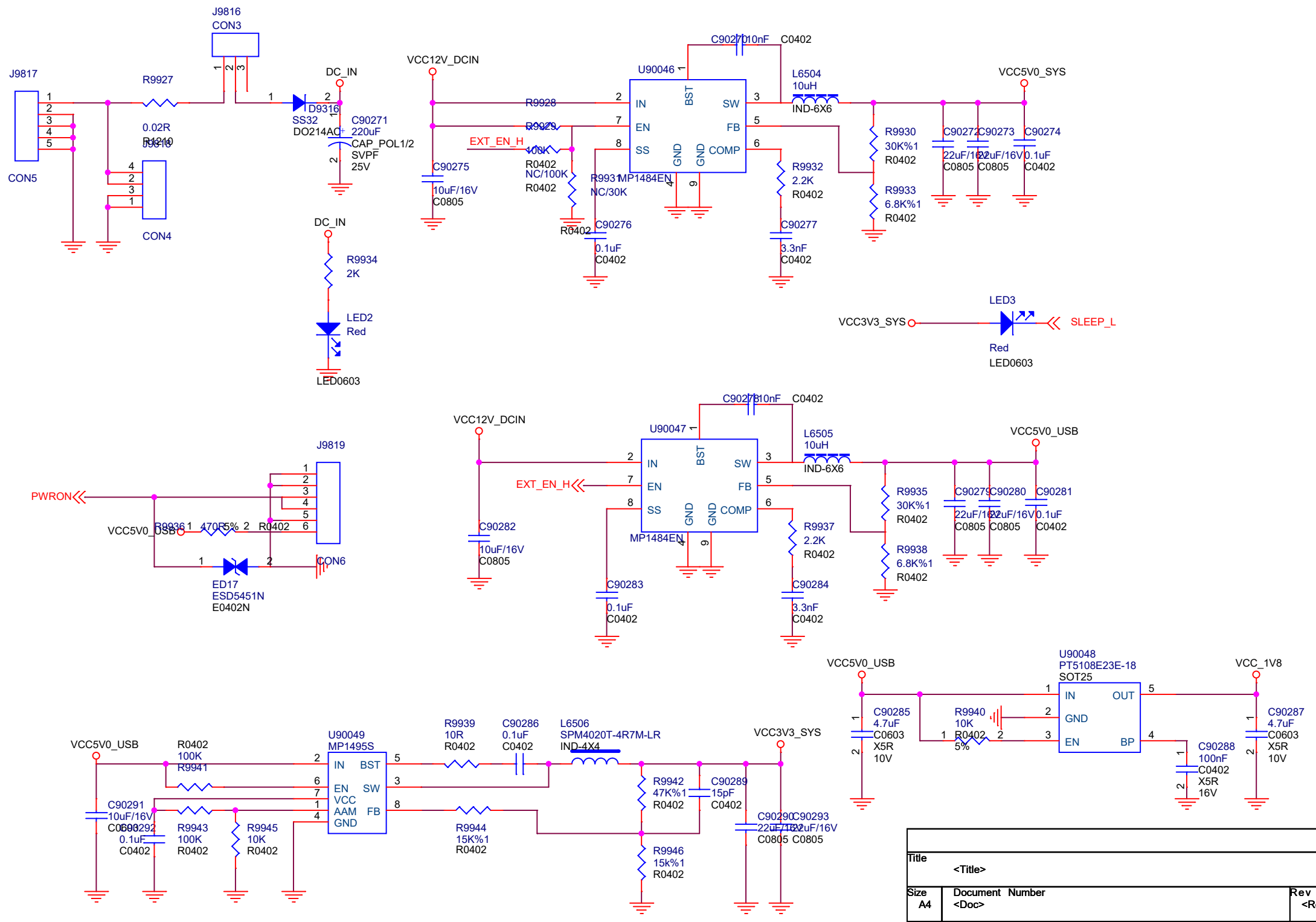


Title			<Title>
Size	Document Number		Rev
A4	<Doc>		<RevC>
Date:	Thursday, March 19, 2020	Sheet	10 of 34

HOST1\_DM  
 HOST1\_DP  
 USB1\_EN\_OC#

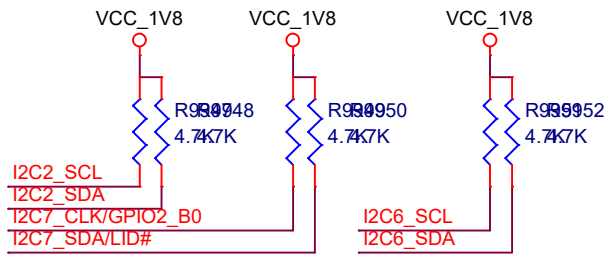
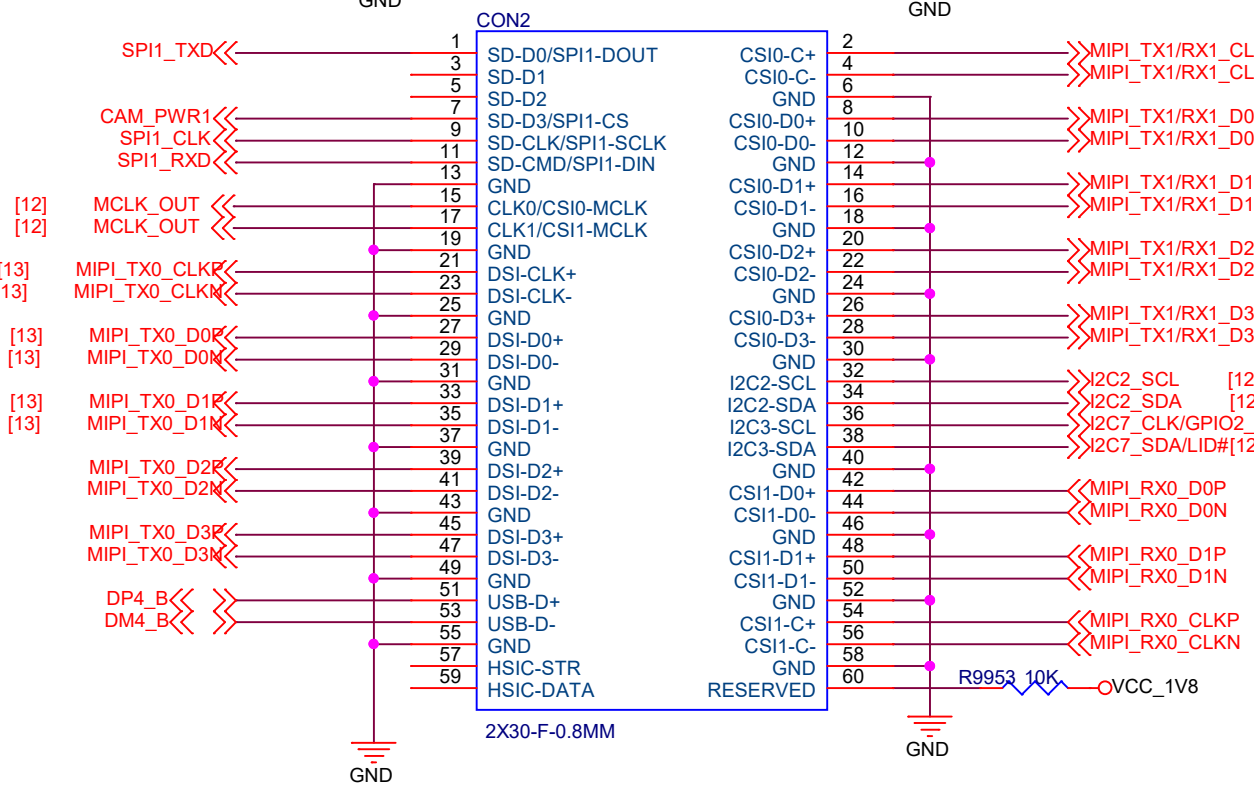
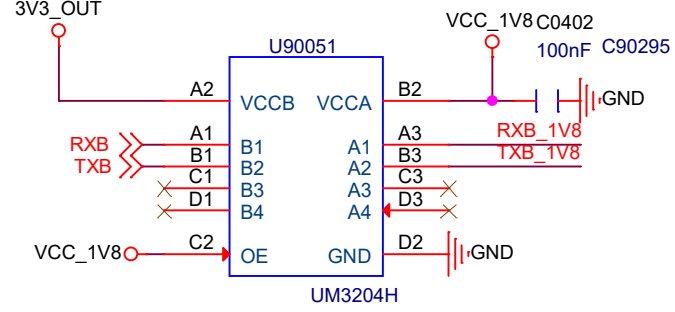
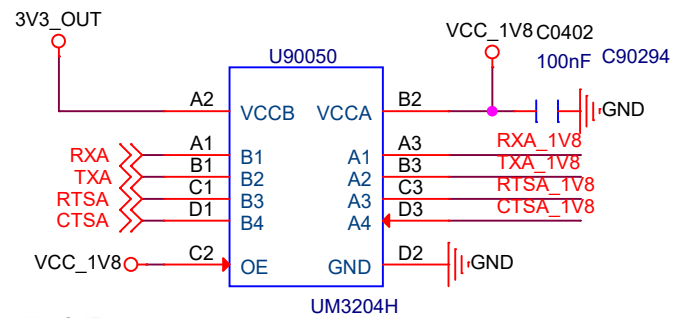
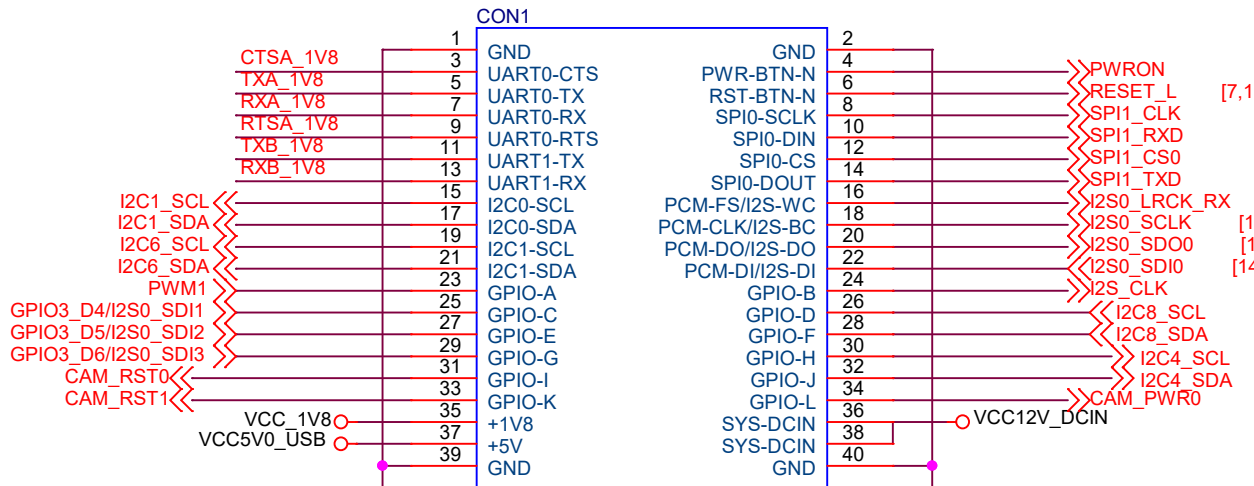


Title		
<Title>		
Size	Document Number	Rev
Custom	<Doc>	<Rev Code>
Date:	Thursday, March 19, 2020	Sheet 11 of 34

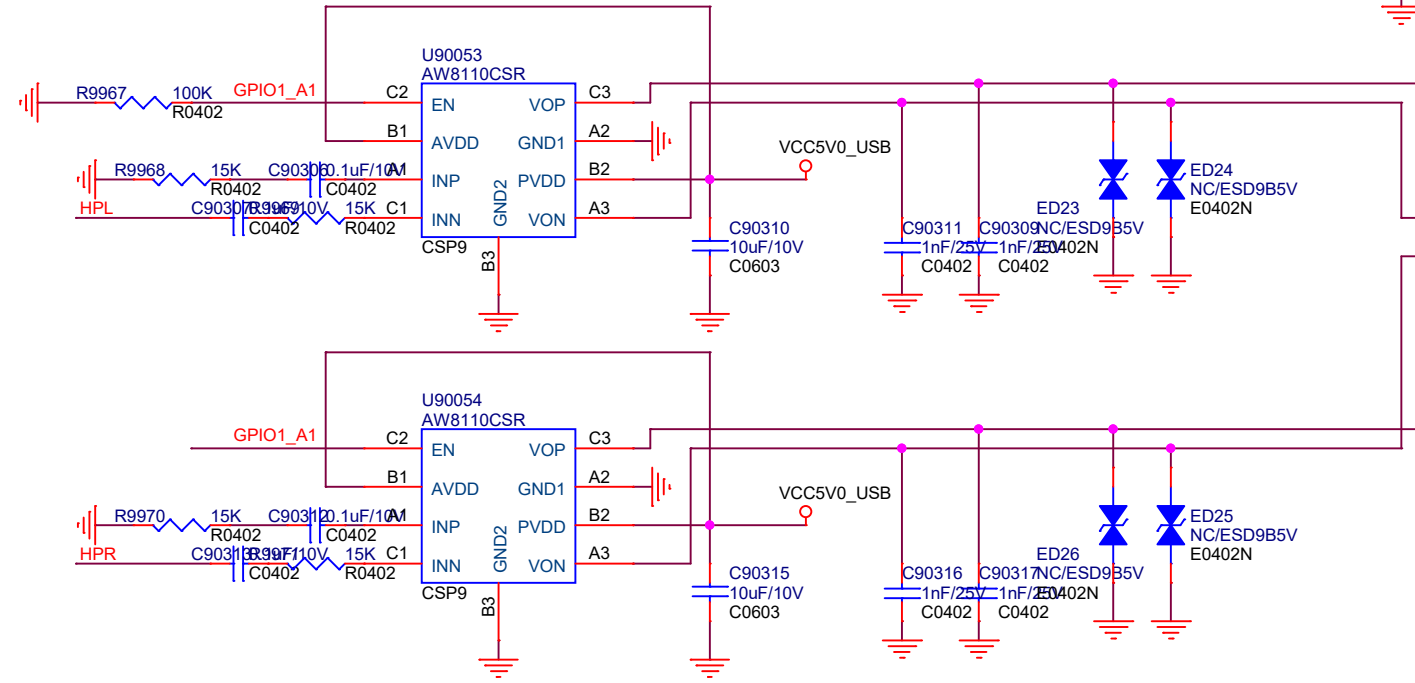
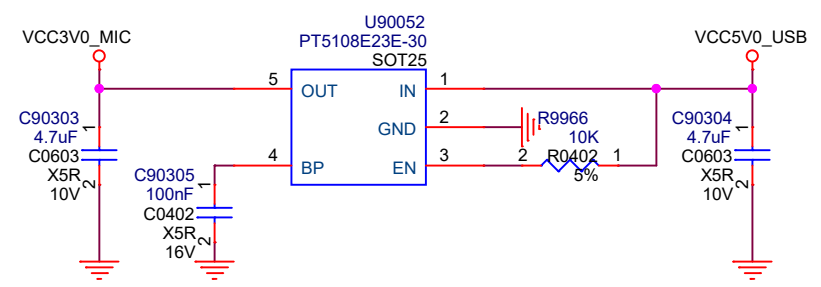
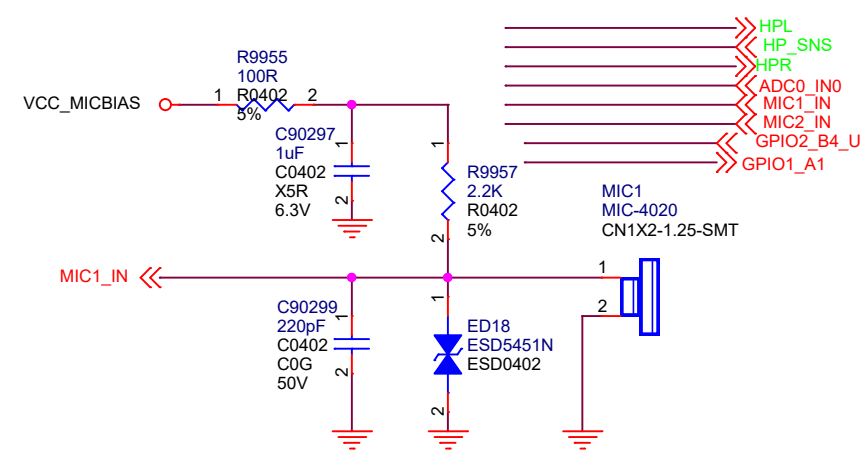
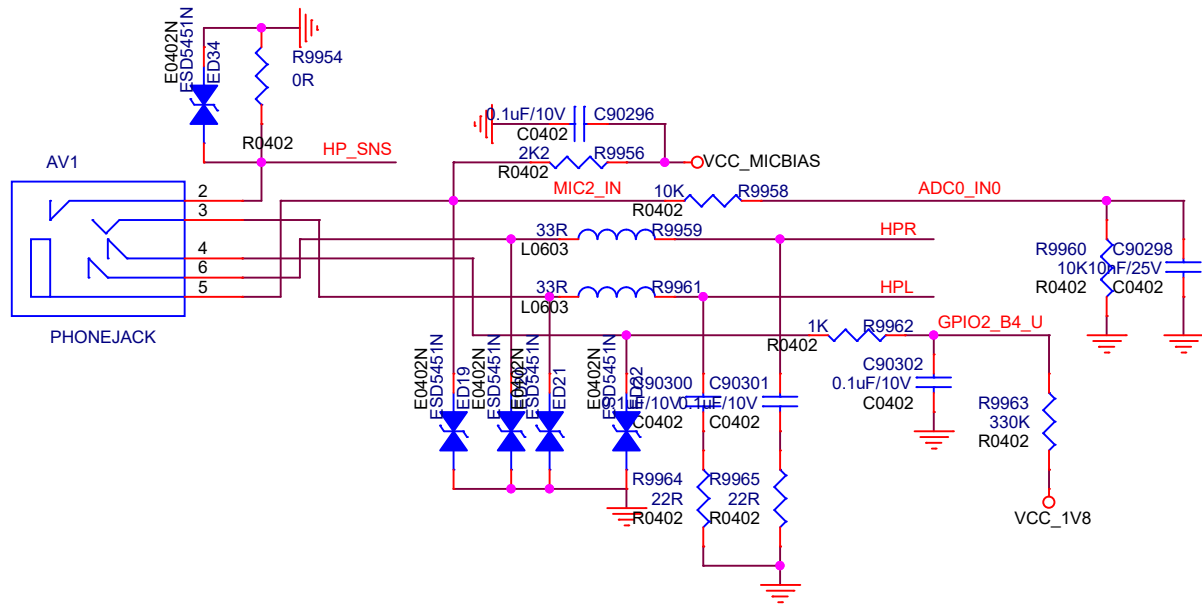


Title		<Title>
Size	Document Number	Rev
A4	<Doc>	<RevC>
Date:	Thursday, March 19, 2020	Sheet 12 of 34

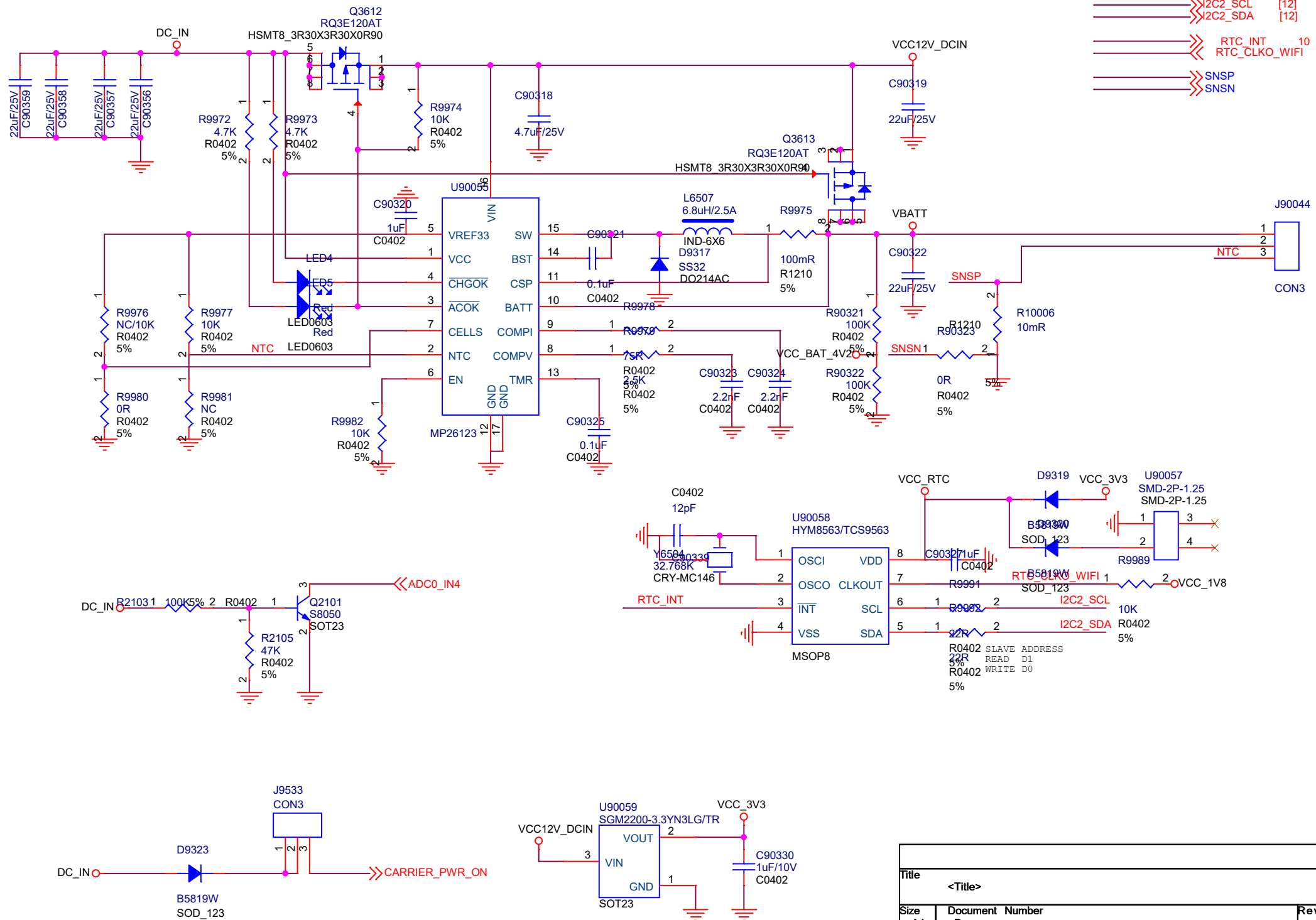




Title		
<Title>		
Size	Document Number	Rev
A	<Doc>	<RevCode>
Date:	Thursday, March 19, 2020	Sheet 13 of 34

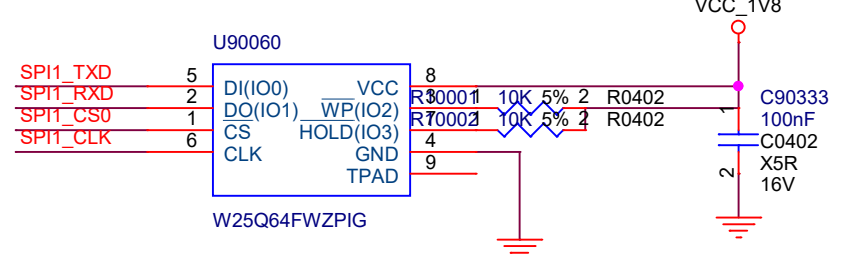
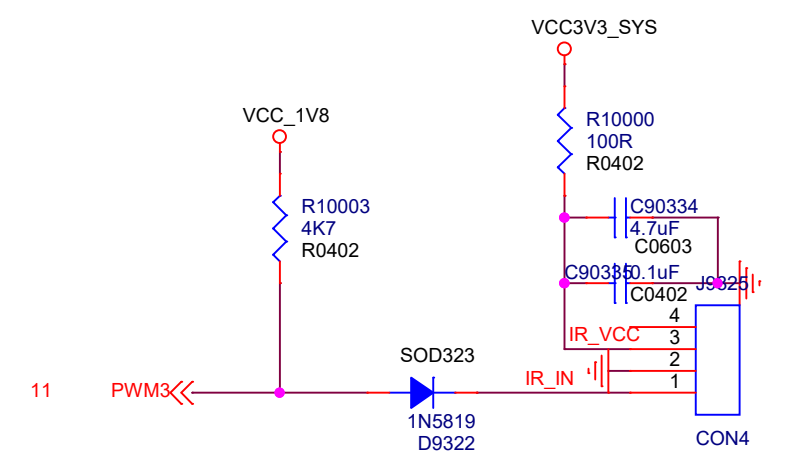
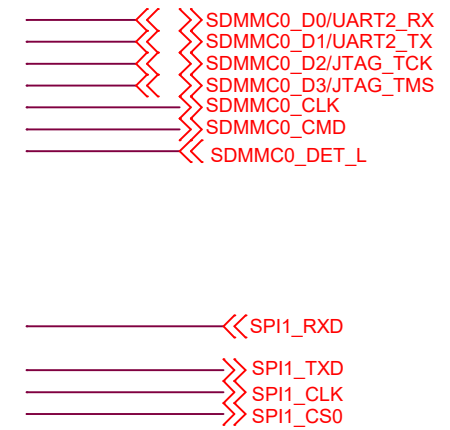
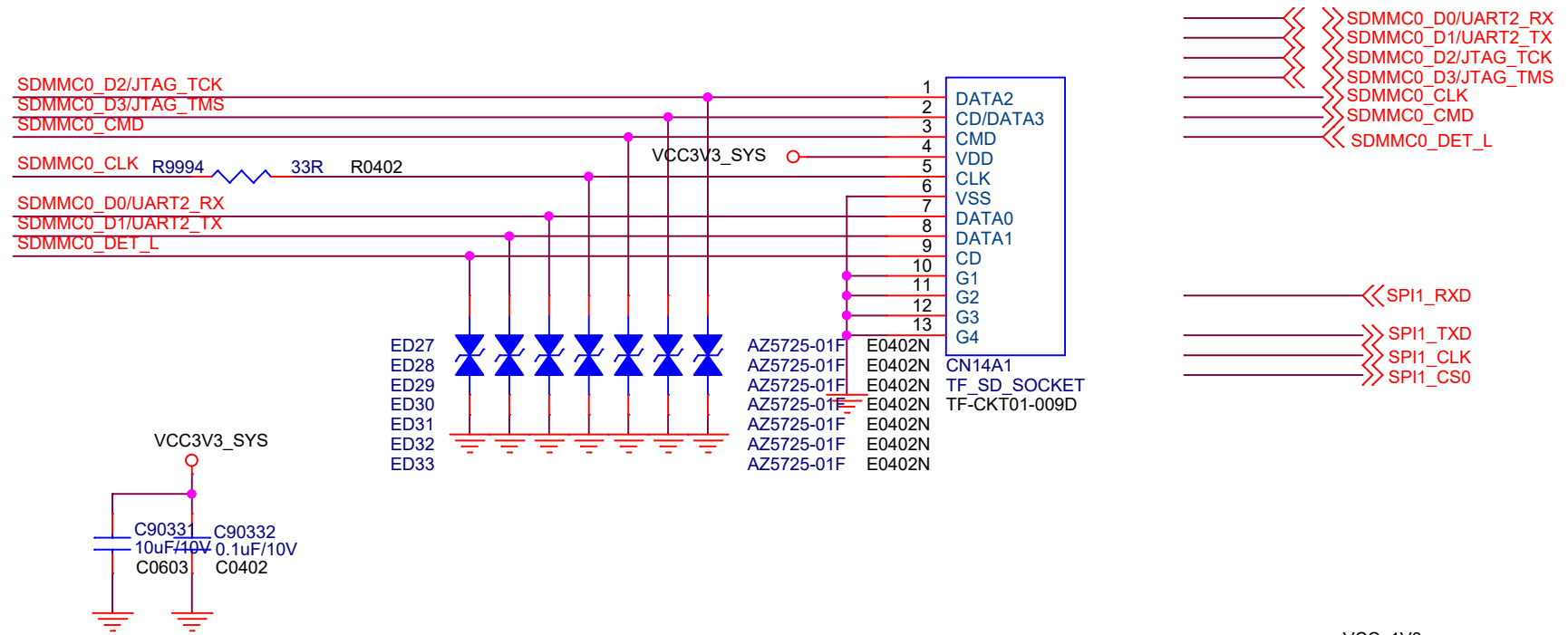


Title			<Title>
Size	Document Number	Rev	
A4	<Doc>	<RevC>	
Date:	Thursday, March 19, 2020	Sheet	14 of 34



- I2C2\_SCL [12]
- I2C2\_SDA [12]
- RTC\_INT 10
- RTC\_CLKO\_WIFI
- SNSP
- SNSN

Title			<Title>
Size	Document Number	Rev	
A4	<Doc>	<RevC>	
Date:	Thursday, March 19, 2020	Sheet	15 of 34



Title		
<Title>		
Size	Document Number	Rev
A	<Doc>	<RevCode>
Date:	Thursday, March 19, 2020	Sheet 16 of 34